

MX series

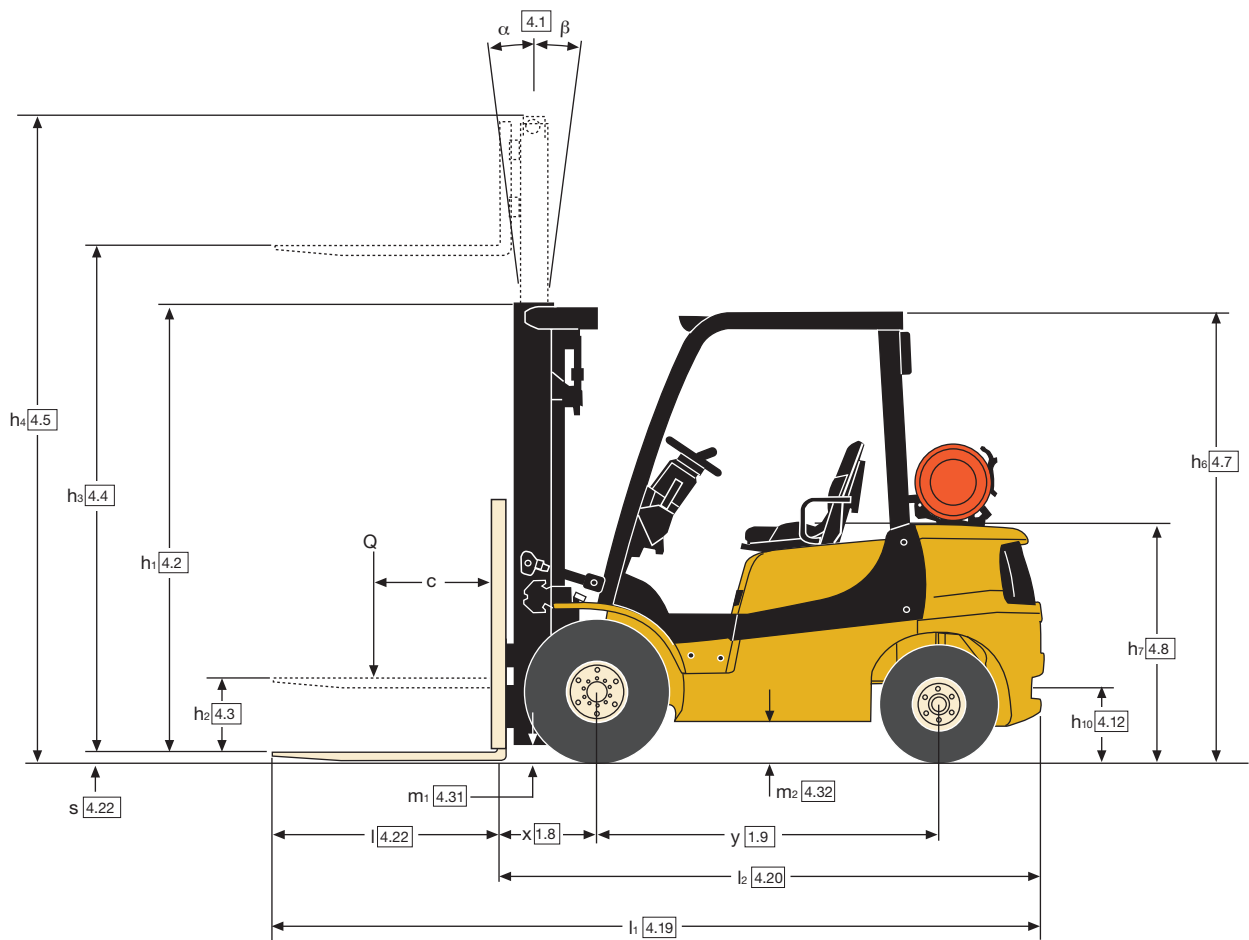
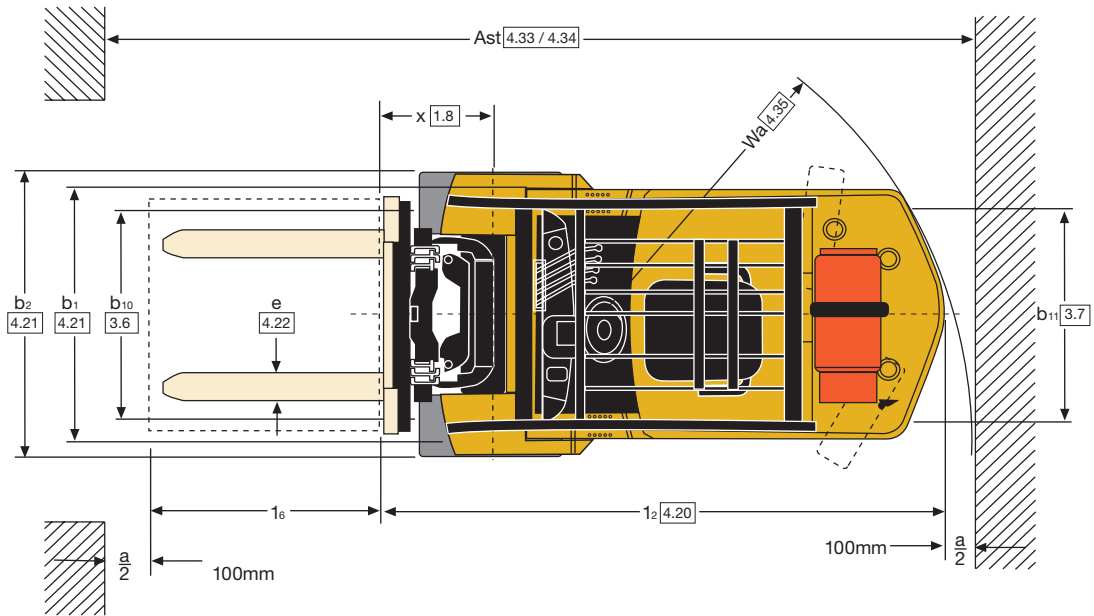
Diesel, LPG and Dual-fuel Forklift Trucks

2,000kg / 2,500kg / 3,000kg

- Electronic Powershift transmission delivers fast load handling
- Proven components ensure excellent reliability and high productivity
- Wide range of optional extras



Truck Dimensions



GDP/GLP 20MX mast details and capacity ratings (kg) - Superelastic tyres

Model						GDP/GLP 20 MX						
Tyre size, front						7.00 x 12-12						
Overall width, front						1140mm						
Mast	h ₁ (mm)	h _{2+s} (mm)	h _{3+s} (mm)	h ₄ (mm)	Tilt		Forks			ISS & FP		
					F	B	Load centre (kg)			Load centre (kg)		
							500	600	700	500	600	700
2 Stage LFL	2170	140	3290	4515	6	6	2000	1840	1680	1940	1770	1620
	2420	140	3790	5015	6	6	2000	1830	1670	1930	1760	1610
	2770	140	4330	5555	6	6	2000	1820	1660	1920	1740	1600
	3020	140	4830	6055	6	6	1900	1720	1580	1820	1650	1520
3 Stage FFL	1970	1380	4350	5570	6	6	2000	1820	1660	1910	1730	1590
	2120	1530	4800	6020	6	6	1910	1730	1590	1820	1660	1520
	2170	1580	4950	6170	6	6	1880	1710	1560	1790	1630	1490
	2270	1680	5100	6320	6	6	1850	1670	1530	1760	1600	1470
	2420	1830	5550	6770	6	6	1750	1580	1440	1660	1510	1380
	2620	2030	6000	7220	6	6	1560	1480	1350	1550	1410	1290

GDP/GLP 25MX mast details and capacity ratings (kg) - Superelastic tyres

Model						GDP/GLP 25 MX						
Tyre size, front						7.00 x 12-12						
Overall width, front						1140mm						
Mast	h ₁ (mm)	h _{2+s} (mm)	h _{3+s} (mm)	h ₄ (mm)	Tilt		Forks			ISS & FP		
					F	B	Load centre (kg)			Load centre (kg)		
							500	600	700	500	600	700
2 Stage LFL	2170	140	3290	4515	6	6	2490	2290	2100	2420	2200	2020
	2420	140	3790	5015	6	6	2490	2280	2090	2410	2190	2010
	2770	140	4330	5555	6	6	2490	2270	2080	2400	2180	2000
	3020	140	4830	6055	6	6	2390	2170	1980	2290	2080	1910
3 Stage FFL	1970	1380	4350	5570	6	6	2490	2270	2080	2390	2170	1990
	2120	1530	4800	6020	6	6	2400	2180	1990	2290	2090	1910
	2170	1580	4950	6170	6	6	2370	2150	1960	2260	2060	1880
	2270	1680	5100	6320	6	6	2290	2110	1930	2220	2020	1850
	2420	1830	5550	6770	6	6	1850	1850	1840	1860	1860	1760
	2620	2030	6000	7220	6	6	1510	1510	1510	1500	1500	1500

GDP/GLP 30MX mast details and capacity ratings (kg) - Superelastic tyres

Model						GDP/GLP 30 MX						
Tyre size, front						28 x 9-15						
Overall width, front						1206mm						
Mast	h ₁ (mm)	h _{2+s} (mm)	h _{3+s} (mm)	h ₄ (mm)	Tilt		Forks			ISS & FP		
					F	B	Load centre (kg)			Load centre (kg)		
							500	600	700	500	600	700
2 Stage LFL	2195	150	3105	4335	6	6	2940	2760	2520	2900	2640	2420
	2245	150	3205	4435	6	6	2940	2750	2520	2890	2640	2420
	2445	150	3605	4835	6	6	2940	2750	2510	2890	2630	2410
	2795	150	4105	5335	6	6	2940	2730	2500	2870	2610	2400
3 Stage FFL	3045	150	4605	5835	6	6	2850	2630	2400	2760	2510	2310
	1995	1315	4015	5245	6	6	2940	2730	2500	2860	2600	2390
	2195	1515	4615	5845	6	6	2830	2610	2390	2740	2490	2290
	2245	1615	4765	5995	6	6	2790	2570	2360	2700	2460	2260
	2345	1665	4915	6145	6	6	2760	2540	2330	2660	2430	2230
	2445	1765	5215	6445	6	6	2690	2470	2260	2590	2360	2170
	2695	2015	5815	7045	6	6	2470	2320	2120	2430	2210	2030

Engine Specifications

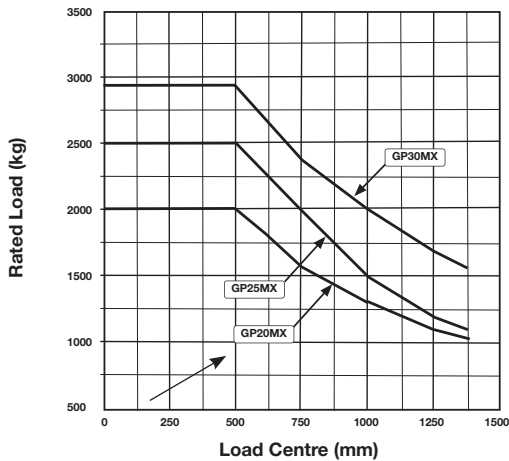
Diesel

Engine Yanmar 4TNE92
 4 cylinder Overhead valve
 Displacement 2.6 litre
 Power 37.4kW @ 2,350rpm
 Torque 150Nm @ 1,600rpm
 Air filtration Single stage, dry type
 IDI fuel injection system

LPG

Engine PSI
 4 cylinder Overhead valve
 Displacement 2.4 litre
 Power 44kW @ 2,700rpm
 Torque 164Nm @ 2,000rpm
 Air filtration Single stage, dry type

Rated Load vs. Load Centre - Standard Carriage



Truck configuration:

2 stage LFL mast (4330mm MFH for GDP20-25MX and 4105mm MFH for GDP30MX).
 1067mm Standard carriage with Load Backrest.

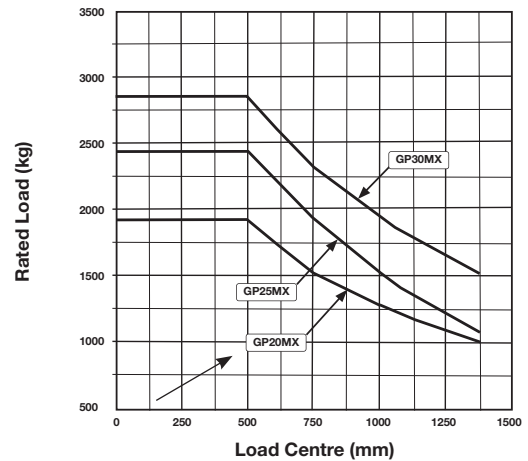
Basic truck:

LPG with 1 speed basic transmission and Overhead Guard.

The ratings are computed using fork lengths as follows;

	Load centre (mm)	Fork length (mm)
All models	500 to 775	2 x LC
	Over 775 to 1067	1525
	Over 1067	1825

Rated Load vs. Load Centre - ISS Carriage



Truck configuration:

2 stage LFL mast (4330mm MFH for GDP20-25MX and 4105mm MFH for GDP30MX).
 1067mm Standard carriage with Load Backrest.

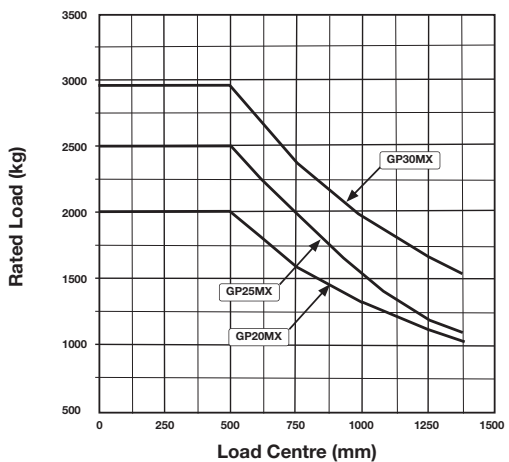
Basic truck:

LPG with 1 speed basic transmission and Overhead Guard.

The ratings are computed using fork lengths as follows;

	Load centre (mm)	Fork length (mm)
All models	500 to 775	2 x LC
	Over 775 to 1067	1525
	Over 1067	1825

Rated Load vs. Load Centre - Standard Carriage



Truck configuration:

3 stage FFL mast at HNHL (4350mm MFH for GDP20-25MX and 4015mm for GDP30MX).
 1067mm standard carriage with load backrest.

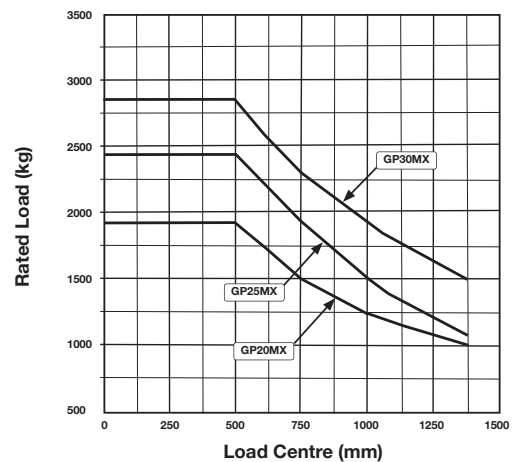
Basic truck:

LPG with 1 speed basic transmission and Overhead Guard.

The ratings are computed using fork lengths as follows;

	Load centre (mm)	Fork length (mm)
All models	500 to 775	2 x LC
	Over 775 to 1067	1525
	Over 1067	1825

Rated Load vs. Load Centre - ISS Carriage



Truck configuration:

3 stage FFL mast at HNHL (4350mm MFH for GDP20-25MX and 4015mm for GDP30MX).
 1067mm standard carriage with load backrest.

Basic truck:

LPG with 1 speed basic transmission and Overhead Guard.

The ratings are computed using fork lengths as follows;

	Load centre (mm)	Fork length (mm)
All models	500 to 775	2 x LC
	Over 775 to 1067	1525
	Over 1067	1825

MX20, MX25, MX30 - Standard and Optional Features

Standard	Optional
Front End Equipment 2-Stage limited free lift High Vis™ mast with 3035mm maximum fork height Hook-type carriage with 1070mm high load backrest (LBR) 1070mm long forks	Front End Equipment 2-Stage limited free lift High Vis™ masts with up to 4855mm lift height 2-Stage full free lift High Vis™ masts with up to 3390mm lift height 3-Stage full free lift High Vis™ masts with up to 6580mm lift height Integral side shift (ISS) carriage Fork lengths are available from 1070mm to 1520mm
Engine / Drivetrain / Brakes PSI 2.4L LPG engine on GLP20-30MX Yanmar 2.6L Diesel engine on GDP20-30MX Automatic transmission with: <ul style="list-style-type: none"> • Mechanical inching • Neutral start function Lever directional control Self-adjusting drum brakes Super-elastic tyres	Engine / Drivetrain / Brakes Heavy duty clutch Foot Directional Control (FDC) Heavy duty drum brakes Non-marking super-elastic tyre (divided Rim) Premium super-elastic tyre (single piece rim) Pneumatic radial tyre (single piece rim). Note: 2.0-2.5T can take 28 x 9 x 15 tyre
Controls and Instrumentation Combined inch / brake pedal 2-function cowl-mounted hydraulic controls LCD panel with: <ul style="list-style-type: none"> • Hour meter • Fasten seatbelt indicator • Fuel level with low fuel audible alarm (Petrol and Diesel fuel only) • Real time clock Service Indicators: <ul style="list-style-type: none"> • Service required • Error message • Coolant temperature with high temperature warning buzzer • Alternator with warning buzzer • Transmission oil temperature with warning buzzer • Engine oil pressure with low pressure warning buzzer • Glow lamp (Diesel fuel engine only) • Sedimeter with warning buzzer (Diesel fuel engine only) 	Controls and Instrumentation Separate inch-brake and brake pedals for sure handling on steep inclines 3-function cowl-mounted hydraulic controls with interlock for clamping 4-function cowl-mounted hydraulic controls with or without interlock for clamping Speedometer with speed alarm and warning buzzer
Seats Comfort vinyl full suspension seat	Seats Full-suspension vinyl or cloth seat (Cloth seat available with full cabin options)
Cabin Over Head Guard (OHG) with rain gutter and cup holder 78dB(A) standard noise level for LPG engine option 83.5dB(A) standard noise level for Diesel engine option	Cabin High Overhead Guard without Cab – accommodates front, top, rear cab panel options and the PVC doors. High Overhead Guard with Cab with steel doors option. Cabs can be retro-fitted.
Environmental 5in. Cyclone type air cleaner (LPG) 6.5in. Cyclone type air cleaner (Diesel) Horizontal exhaust Serpentine core radiator	Environmental Dual element air filter for LPG engine option Tandem air filter for Diesel engine option Vertical exhaust 2-way catalytic muffler Spark arrestor muffler Large capacity battery
Other Hydraulic cut-out seat interlock (prevents use of hydraulics when operator is not on seat) Electric horn Rubber floor mat Integral tie downs Operator's manual Operator's seat belt Adjustable steering column 12 months / 2,000 hours manufacturer's warranty	Other 2 rear vision mirrors Rotating flasher beacon Light Kit consisting of 2 Halogen front head lights 2 front turn indicators plus rear combination (turn indicators, reversing and brake) lights and reverse alarm Additional front work light Rear work light (switches or reverse operated)

VDI 2198 - General Specifications 20MX, 25MX, 30MX - Diesel, LPG

Distinguishing mark	1.1	Manufacturer (abbreviation)		Yale	Yale	Yale
	1.2	Manufacturer's type designation		GDP 20MX	GDP 25MX	GDP 30MX
		Engine		Yanmar 2.6L	Yanmar 2.6L	Yanmar 2.6L
		Transmission		Standard 1-speed	Standard 1-speed	Standard 1-speed
		Brake Type		Drum brakes	Drum Brakes	Drum Brakes
	1.3	Drive: electric (battery or mains), diesel, petrol, LPG		Diesel	Diesel	Diesel
	1.4	Operator type: hand, pedestrian, standing, seated, order-picker		Seat	Seat	Seat
	1.5	Rated capacity/rated load	Q (t)	2.0	2.5	3.0
	1.6	Load centre distance	c (mm)	500	500	500
Weights	1.8	Load distance, centre of drive axle to fork	x (mm)	471	471	478
	1.9	Wheelbase	y (mm)	1623	1623	1700
	2.1	Service weight	kg	3750	4080	4690
Tyres / chassis	2.2	Axle loading, laden front / rear	kg	4984 / 767	5704 / 876	6586 / 1087
	2.3	Axle loading, unladen front / rear	kg	1767 / 1983	1689 / 2391	1892 / 2798
	3.1	Tyres: P = pneumatic, V = cushion, SE = superelastic		SE	SE	SE
	3.2	Tyre size, front		7.00 x 12-12	7.00 x 12-12	28 x 9 - 15
	3.3	Tyre size, rear		6.00 x 9	6.00 x 9	6.50 x 10
	3.5	Wheels, number front / rear (x = driven wheels)		2 x /2	2 x /2	2 x /2
	3.6	Tread, front	b ₁₀ (mm)	970	970	970
Dimensions	3.7	Tread, rear	b ₁₁ (mm)	993	993	993
	4.1	Tilt of mast / fork carriage forward / backward	α / β (°)	6 / 6	6 / 6	6 / 6
	4.2	Height, mast lowered	h ₁ (mm)	2170	2170	2195
	4.3	Free lift ▲	h ₂ (mm)	140	140	150
	4.4	Lift ▲	h ₃ (mm)	3290	3290	3105
	4.5	Height, mast extended +	h ₄ (mm)	4515	4515	4335
	4.7	Height of overhead guard (cabin) ○	h ₆ (mm)	2221	2221	2241
	4.8	Seat height relating to SIP / stand height ✕	h ₇ (mm)	1129	1129	1149
	4.12	Coupling height	h ₁₀ (mm)	349	349	369
	4.19	Overall length	l ₁ (mm)	3528	3589	3696
	4.20	Length to face of forks	l ₂ (mm)	2528	2589	2696
	4.21	Overall width	b ₁ / b ₂ (mm)	1140	1140	1206
	4.22	Fork dimensions ISO 2331	s/e/l (mm)	40 x 100 x 1000	40 x 100 x 1000	50 x 125 x 1000
	4.23	Fork carriage ISO 2328, class / type A, B		IIA	IIA	IIIA
	4.24	Fork carriage width ●	b ₃ (mm)	1067	1067	1067
	4.31	Ground clearance, laden, below mast	m ₁ (mm)	80	80	100
	4.32	Ground clearance, centre of wheelbase	m ₂ (mm)	190	190	210
	4.34.1	Aisle width for pallets 1000 x 1200 crossways	A _{st} (mm)	3649	3707	3802
	4.34.2	Aisle width for pallets 800 x 1200 crossways	A _{st} (mm)	3849	3907	4002
	4.35	Turning radius	W _a (mm)	2178	2236	2324
4.36	Internal turning radius	b ₁₃ (mm)	629	629	618	
4.43	Step height	(mm)	415	415	435	
Performance data	5.1	Travel speed, laden / unladen	km/h	17.3 / 17.5	17.3 / 17.5	18.7 / 18.9
	5.2	Lift speed, laden / unladen	m/s	0.66 / 0.69	0.65 / 0.68	0.57 / 0.60
	5.3	Lowering speed, laden / unladen	m/s	0.58 / 0.50	0.58 / 0.50	0.58 / 0.50
	5.5	Drawbar pull, laden / unladen	N	15.0 / 12.2	14.8 / 12.2	13.4 / 13.8
	5.7	Gradeability, laden / unladen *	%	18.1 / 34.6	15.3 / 30.7	12.3 / 30.5
	5.9	Acceleration time, laden/unladen **	s	4.6 / 4.2	4.9 / 4.3	5.3 / 4.5
Combustion engine	5.10	Service brake		Hydraulic	Hydraulic	Hydraulic
	7.1	Engine manufacturer/type		Yanmar 2.6L	Yanmar 2.6L	Yanmar 2.6L
	7.2	Engine power according to ISO 1585	kW	33.0	33.0	33.0
	7.3	Rated speed	rpm	2350	2350	2350
	7.4	Number of cylinders/displacements	(-) cm ³	4 / 2659	4 / 2659	4 / 2659
Addition data	7.5	Fuel consumption according to VDI cycle	l/h or kg/h	2.7	3.1	3.5
	8.1	Type of drive unit		Automatic	Automatic	Automatic
	10.1	Operating pressure for attachments	bar	0-155	0-155	0-155
	10.2	Oil volume for attachments	l/min	60	60	60
	10.3	Hydraulic oil tank, capacity	litres	42	42	42
	10.4	Fuel tank, capacity	litres	69	69	69
	10.7	Sound pressure level at the driver's seat ★	dB(A)	79	79	79
	10.7.1	Sound power level during the workcycle		104	104	104
10.8	Towing coupling, type DIN		Pin	Pin	Pin	

- ▲ Top of forks.
- + W/o load backrest.
- h₆ subject to +/- 5 mm tolerance.
- ✕ Full suspension seat in depressed position.
- add 32mm with load backrest.
- * at 1.6km/h.
- ** at 4.8km/h.
- ★ Measured according to the test cycles and based on the weighting values contained in EN12053.

Yale	Yale	Yale		Manufacturer (abbreviation)	1.1	Distinguishing mark
GLP 20MX	GLP 25MX	GLP 30MX		Manufacturer's type designation	1.2	
PSI 2.4L	PSI 2.4L	PSI 2.4L		Engine		
Standard 1-speed	Standard 1-speed	Standard 1-speed		Transmission		
Drum Brakes	Drum Brakes	Drum Brakes		Brake Type		
LPG	LPG	LPG		Drive: electric (battery or mains), diesel, petrol, LPG	1.3	
Seat	Seat	Seat		Operator type: hand, pedestrian, standing, seated, order-picker	1.4	
2.0	2.5	3.0	Q (t)	Rated capacity/rated load	1.5	
500	500	500	c (mm)	Load centre distance	1.6	
471	471	478	x (mm)	Load distance, centre of drive axle to fork	1.8	
1623	1623	1700	y (mm)	Wheelbase	1.9	
3710	4040	4650	kg	Service weight	2.1	Weights
4954 / 757	5674 / 866	6556 / 1077	kg	Axle loading, laden front / rear	2.2	
1747 / 1963	1669 / 2371	1872 / 2778	kg	Axle loading, unladen front / rear	2.3	
SE	SE	SE		Tyres: P = pneumatic, V = cushion, SE = superelastic	3.1	Tyres / chassis
7.00 x 12-12	7.00 x 12-12	28 x 9 - 15		Tyre size, front	3.2	
6.00 x 9	6.00 x 9	6.50 x 10		Tyre size, rear	3.3	
2 x /2	2 x /2	2 x /2		Wheels, number front / rear (x = driven wheels)	3.5	
970	970	970	b ₁₀ (mm)	Tread, front	3.6	
993	993	993	b ₁₁ (mm)	Tread, rear	3.7	
6 / 6	6 / 6	6 / 6	α / β (°)	Tilt of mast / fork carriage forward / backward	4.1	
2170	2170	2195	h ₁ (mm)	Height, mast lowered	4.2	Dimensions
140	140	150	h ₂ (mm)	Free lift ▲	4.3	
3290	3290	3105	h ₃ (mm)	Lift ▲	4.4	
4515	4515	4335	h ₄ (mm)	Height, mast extended ▬	4.5	
2221	2221	2241	h ₆ (mm)	Height of overhead guard (cabin) ○	4.7	
1129	1129	1149	h ₇ (mm)	Seat height relating to SIP / stand height ✕	4.8	
349	349	369	h ₁₀ (mm)	Coupling height	4.12	
3528	3589	3696	l ₁ (mm)	Overall length	4.19	
2528	2589	2696	l ₂ (mm)	Length to face of forks	4.20	
1140	1140	1206	b ₁ / b ₂ (mm)	Overall width	4.21	
40 x 100 x 1000	40 x 100 x 1000	50 x 125 x 1000	s/e/l (mm)	Fork dimensions ISO 2331	4.22	
IIA	IIA	IIIA		Fork carriage ISO 2328, class / type A, B	4.23	
1067	1067	1067	b ₃ (mm)	Fork carriage width ●	4.24	
80	80	100	m ₁ (mm)	Ground clearance, laden, below mast	4.31	
190	190	210	m ₂ (mm)	Ground clearance, centre of wheelbase	4.32	
3649	3707	3802	A _{st} (mm)	Aisle width for pallets 1000 x 1200 crossways	4.34.1	
3849	3907	4002	A _{st} (mm)	Aisle width for pallets 800 x 1200 crossways	4.34.2	
2178	2236	2324	W _a (mm)	Turning radius	4.35	
629	629	618	b ₁₃ (mm)	Internal turning radius	4.36	
415	415	435	(mm)	Step height	4.43	
18.4 / 18.6	18.4 / 18.6	19.8 / 20.0	km/h	Travel speed, laden / unladen	5.1	Performance data
0.59 / 0.62	0.59 / 0.62	0.54 / 0.57	m/s	Lift speed, laden / unladen	5.2	
0.58 / 0.50	0.58 / 0.50	0.58 / 0.50	m/s	Lowering speed, laden / unladen	5.3	
18.6 / 12.2	18.4 / 12.2	16.8 / 13.8	N	Drawbar pull, laden / unladen	5.5	
23.9 / 34.6	20.2 / 30.7	16.2 / 30.5	%	Gradeability, laden / unladen *	5.7	
4.7 / 4.4	5.0 / 4.4	5.4 / 4.6	s	Acceleration time, laden/unladen **	5.9	
Hydraulic	Hydraulic	Hydraulic		Service brake	5.10	Combustion engine
PSI 2.4L	PSI 2.4L	PSI 2.4L		Engine manufacturer/type	7.1	
46.0	46.0	46.0	kW	Engine power according to ISO 1585	7.2	
2700	2700	2700	rpm	Rated speed	7.3	
4 / 2351	4 / 2351	4 / 2351	(-) cm ³	Number of cylinders/displacements	7.4	
2.5	2.8	3.1	l/h or kg/h	Fuel consumption according to VDI cycle	7.5	
Automatic	Automatic	Automatic		Type of drive unit	8.1	
0-155	0-155	0-155	bar	Operating pressure for attachments	10.1	
60	60	60	l/min	Oil volume for attachments	10.2	Addition data
42	42	42	litres	Hydraulic oil tank, capacity	10.3	
-	-	-	litres	Fuel tank, capacity	10.4	
79	79	79	dB(A)	Sound pressure level at the driver's seat ★	10.7	
102	102	102		Sound power level during the workcycle	10.7.1	
Pin	Pin	Pin		Towing coupling, type DIN	10.8	

MX series

Models: GDP/GLP 20MX, 25MX, 30MX



HYSTER-YALE UK LIMITED

trading as **Yale Europe Materials Handling**
Centennial House,
Frimley Business Park,
Frimley, Surrey GU16 7SG, United Kingdom.


Tel: +44 (0) 1276 538500 Fax: +44 (0) 1276 538559


www.yale-forklifts.eu



Publication part no. 220990474 Rev.00 Printed in The Netherlands (0816HG) EN.

Safety. This truck conforms to the current EU requirements. Specification is subject to change without notice.

Yale, VERACITOR and  are registered trademarks. "PEOPLE, PRODUCTS, PRODUCTIVITY", PREMIER, Hi-Vis, and CSS are trademarks in the United States and certain other jurisdictions. MATERIALS HANDLING CENTRAL and MATERIAL HANDLING CENTRAL are Service Marks in the United States and certain other jurisdictions.

 is a Registered Copyright. © Yale Europe Materials Handling 2016. All rights reserved. Truck shown with optional equipment.

Country of Registration: England and Wales. Company Registration Number: 02636775