



AVIATOR[®] 7000

Retail Scale



High Speed Operation, Reliability, Cost Efficiency – Mobile Power

Aviator 7000 has been conceived to offer optimum quality versus price in order to guarantee the robustness, operating speed and accuracy you need, whatever your retail environment. The Light-Touch layer keyboard is setting standards thanks to its fast operation, easy cleaning and cost efficiency, while the large 4-line LCD including separate tare line makes daily tasks simple. For secure and easy transportation the Aviator 7000 includes practical design features such as Ergo grips and integrated adapter storage. In addition it offers POS protocol support, external printing enabling accumulation, along with reporting options. Overall the Aviator 7000 offers you a complete package of features rarely seen on an entry level price-computing scale - ensuring that it stands out from the crowd.

Standard Features Include:

- **Light-Touch Technology** — This innovative keyboard technology delivers advanced weighing and signal processing for extremely fast operation and the keysheet layers can be exchanged for optimum hygiene and cost efficiency.
- **User Friendly Keyboard Functionality** — Increase the speed of your workflow thanks to quick price look up and function keys. The numeric block is designed for simple, intuitive operation which also helps to speed up price inputting tasks.

AVIATOR[®] 7000 *Retail Scale*

- **Connectivity** — Aviator 7000 can be connected to an external printer or an electronic cash register. Printing tickets and reports and working with accumulated transactions are also offered as standard.
 - **Robust and Mobile** — The Aviator 7000 is constructed from stamped parts with a sturdy frame plus a large, robust stainless steel weighing plate for easy weighing of larger items. The stainless steel is of high quality making it water resistant and easy to keep hygienic, vital for food safety. For even higher protection, covers are available for both the scale and the pan. The option of power using standard size D - cell commercial batteries delivers full mobility for fast business anytime, anywhere.
 - **Large, bright LCD Display** — Four display lines - including an extra line highlighting preset tares - combined with bright backlight, ensure that the display is clear and easy to read in all conditions. One display instead of the three separate windows, more commonly found on price computing scales, gives the user a faster overview and operation.
 - **Reliable Performance** — OHAUS' long-term experience in engineering precise weighing instruments ensures fast customer transactions and long-lasting performance. Aviator 7000 stands for user friendly functionality and operation. The high quality of the load cell ensures long-term reliability whilst the high speed stabilization means fast signal processing and therefore fast price calculation.
-

Applications

Specialty Shop:
Sweets, tea, chocolate



Aviator in the
Cheese shop



Aviator 7000 is a stylish, portable retail scale suited to a range of retail environments such as open markets, mobile business or smaller specialty shops. Its robust yet lightweight construction, including a high quality stainless steel plate, make it perfect for these kinds of environment where food hygiene, portability and sturdiness are prerequisites. Coupled with its high quality weighing technology this makes the Aviator a reliable and long lasting investment. Using the scale is also fast and effortless thanks to its ergonomic keyboard layout and simple user interface - thus speeding up customer service in all applications. In addition the range of features and options available on the Aviator 7000 means it can easily adapt to your specific business requirements.

Key Features and Benefits

Two Model Options and Several Weighing Ranges

Aviator® 7000 is available as a compact or tower model. Both models are available in the following dual weighing ranges: 15 x 0.005 lb / 30 x 0.01 lb and 30 x 0.01 lb / 60 x 0.02 lb.



Light-Touch Keyboard



Aviator 7000 is able to process weighing signals extremely fast to help speed up your tasks. Thanks to its 100 PLU memory and 24 preset keys, it is also able to perform numerous operations such as calculating change, weighing with a 100g price unit, setting fixed unit prices, working with preset tares or using the Hold function when an item is removed from the plate. You can also add your own customised preset card.

Backlit Display

Aviator 7000's bright LCD display contains four lines: 6-digit weight and unit price lines; a 7-digit total price line; plus a fourth 4-digit preset tare line for complete tare transparency. The backlight can be switched on or off according to the ambient lighting and to save power the scale automatically goes into the sleep mode when not in use.



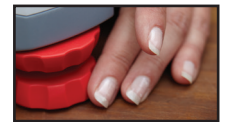
Ergo Grips



Two ergonomic grips on the lower side of the scale combined with its light net weight make it extremely easy to transport.

Fixed Positioning

The Aviator's adjustable non-slip rubber feet make levelling simple and ensures that the scale does not move around whilst in use.



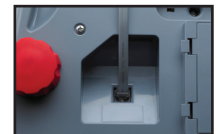
Mobile Business Through Battery Support



For complete mobility, the scale can be powered by standard alkaline D-cell commercial batteries (not included).

POS Add Ons

POS protocol support enables the user to connect an external printer or a POS. Thanks to this printer interface, accumulating, printing sales and log reports are standard features of the Aviator 7000.



Cable Case

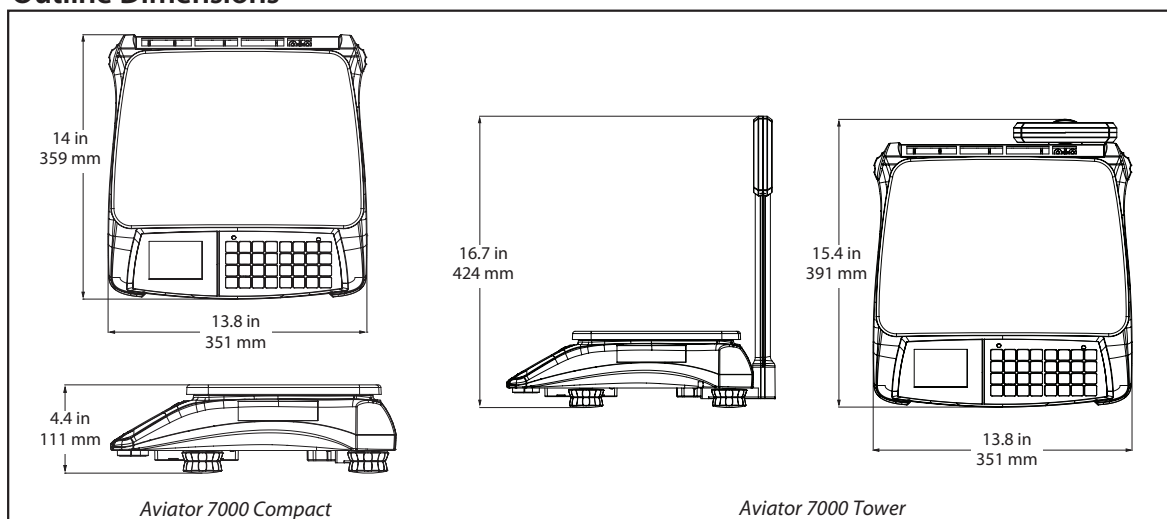
With built-in cable storage, your work area is kept tidy, transportation is simple and the risk of mislaying the power cable is eliminated. To help avoid accidental damage, the power plug is also specially protected.



AVIATOR® 7000 Retail Scale

Model	A71P15DNUS	A71P15DTNUS*	A71P30DNUS	A71P30DTNUS *
Capacity x Readability	15 lb x 0.005 lb / 30 lb x 0.01 lb		30 lb x 0.01 lb / 60 x 0.02 lb	
Display	LCD with backlight; 6-digit weight, 6-digit unit price, 7-digit total price, 4-digit preset tare			
Key	32 light touch keys			
Preset Key	12 keys, every key can store up to 2 PLU's			
Stainless Steel Pan	9.5 x 13.3 in / 240 x 337 mm (trapezoid)			
PLU Quantity	100 + 24 pre-set locations			
Power	Power adapter: 100~240VAC, 50 / 60 Hz Battery: 6 standard alkaline D-cell batteries (not included)			
Typical Battery Life	Up to 150 hours (backlight off)			
Gross Weight/Net Weight	*Tower version: Shipping weight: 11.0 lb / 5.0 kg / Net weight: 8.4 lb / 3.8 kg Compact version: Shipping weight: 10.5 lb / 4.8 kg / Net weight: 9.0 lb / 4.1 kg			
Shipping Dimensions (L x W x H)	18.9 x 18.3 x 7.1 in / 480 x 465 x 180mm			
Working Environment	Temperature: -10 °C to 40 °C / 14° F to 104° F; Humidity: 85%RH, non-condensation			
Storage Environment	Temperature: -25 °C to 50 °C / -13° F to 122° F; Humidity: 85%RH, non-condensation			
Weighing Function	Zero, Tare, Change, Hold, Accumulation, 1 / 2 lb, 1 / 4 lb, kg/lb			
Communication	RJ45-RS232 / USB			

Outline Dimensions



Compliance

- Metrology: NIST Handbook 44 (NTEP CC 12-007) (Class III, n_{max} 3000)
- Product Safety: CAN/CSA C22.2 60950-1, UL 60950-1
- Electromagnetic Compatibility: FCC Part 15 Class B, IEC 61326-1 (emissions Class B, immunity Industrial requirements)

Accessories

NiMH Rechargeable Battery (6Pcs)	72151831	Cable, RJ45-RS232, Printer	72249531
In-Use Cover, Pan	72247039	Cable, RJ45-RS232, POS	72237981
In-Use Cover, Housing	72247038	Cable, RJ45-USB, POS	72237984
Deep Pan	72247115	Keypad, Silicone	72231249
Printer, Thermal	72253293	Keypad, White Silicone	72231250
Paper Roll, Printer	72255953	Keypad, PET Layer	72241852

Aviator 7000 will not conform to California Title 20 energy efficiency requirements if used with rechargeable batteries.

Document is subject to technical changes.

OHAUS CORPORATION
 * 7 Campus Drive
 Suite 310
 Parsippany, NJ 07054 USA
 Tel: 800.672.7722
 973.377.9000
 Fax: 973.944.7177

www.ohaus.com
 With offices throughout
 Europe, Asia, and
 Latin America

***ISO 9001:2015**
 Registered Quality
 Management System

