

**Datalogic S.r.l.**  
Via S. Vitalino, 13  
40012 Calderara di Reno (BO)  
Italy  
Tel. +39 051 3147011  
Fax +39 051 3147205

**©2022 Datalogic S.p.A. and/or its affiliates**

All rights reserved. Without limiting the rights under copyright, no part of this documentation may be reproduced, stored in or introduced into a retrieval system, or transmitted in any form or by any means, or for any purpose, without the express written permission of Datalogic S.p.A. and/or its affiliates. Owners of Datalogic products are hereby granted a non-exclusive, revocable license to reproduce and transmit this documentation for the purchaser's own internal business purposes. Purchaser shall not remove or alter any proprietary notices, including copyright notices, contained in this documentation and shall ensure that all notices appear on any reproductions of the documentation. Electronic versions of this document may be downloaded from the Datalogic website ([www.datalogic.com](http://www.datalogic.com)). If you visit our website and would like to make comments or suggestions about this or other Datalogic publications, please let us know via the "Contact" page.

**Disclaimer**

Datalogic has taken reasonable measures to provide information in this manual that is complete and accurate, however, Datalogic shall not be liable for technical or editorial errors or omissions contained herein, nor for incidental or consequential damages resulting from the use of this material. Datalogic reserves the right to change any specification at any time without prior notice.

**Trademarks**

Datalogic and the Datalogic logo are registered trademarks of Datalogic S.p.A. in many countries, including the U.S.A. and the E.U. PowerScan is a trademark of Datalogic S.p.A. and/or its affiliates, registered in the U.S. All other trademarks and brands are property their respective owners.

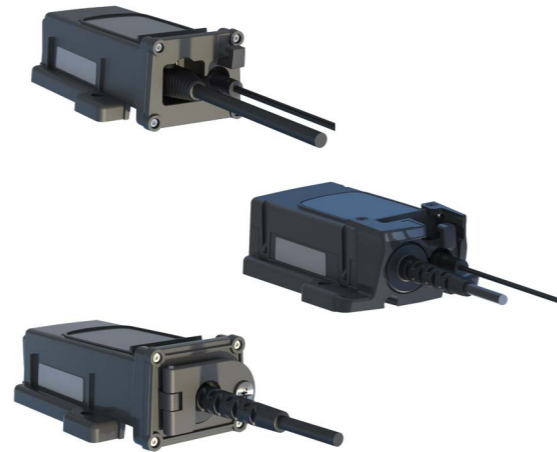
**Patents**

See [www.patents.datalogic.com](http://www.patents.datalogic.com) for patent list.

This product is covered by one or more of the following patents:  
Utility patents: US10915476.

# CM96XX

## Quick Reference Guide



## Multi Interface Connection Module

©2022 Datalogic S.p.A. and/or its affiliates • All rights reserved • Without limiting the rights under copyright, no part of this documentation may be reproduced, stored in or introduced into a retrieval system, or transmitted in any form or by any means, or for any purpose, without the express written permission of Datalogic S.p.A. and/or its affiliates • Datalogic and the Datalogic logo are registered trademarks of Datalogic S.p.A. in many countries, including the U.S. and the E.U.

[www.datalogic.com](http://www.datalogic.com)



820123301 Rev. B March 2022

## USING CM96XX

The CM96XX connection module is a modular component of the BC96XX which provides power and communication between the host and the base station.

It is mainly used as a replacement part for the BC96XX Base Station. The CM9680 can also be used as an accessory to connect a PD96XX reader to an Ethernet host.

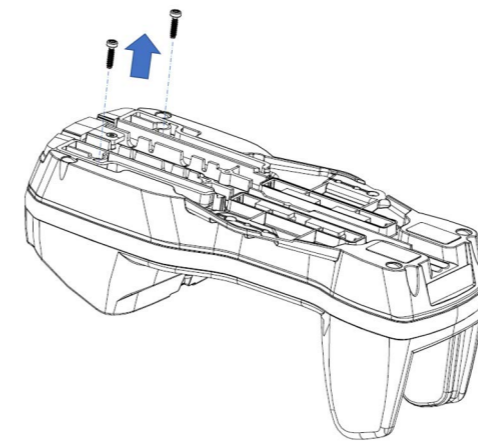
The available models are:

- CM9630 CONN Model Multi interface
- CM9631 CONN Model Multi Interface IP65
- CM9680 CONN Model Ethernet

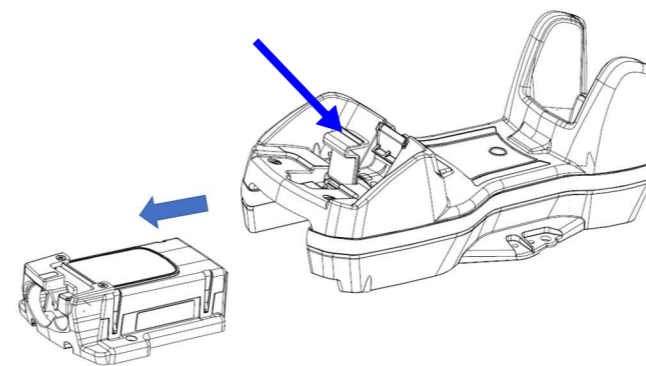
## CM96XX REPLACEMENT

To replace a CM96xx connection module in a BC96xx base station follow the steps below:

1. Unscrew the connection module from the cradle.



2. Unlock the lever and remove the connection module from the cradle.

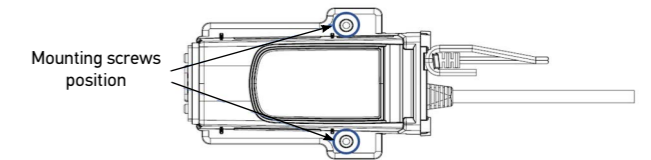


3. Replace the module by inserting it into the cradle, lock the lever and screw the module to the cradle.

For other base station mounting solutions see the BC96xx Quick Reference Guide or the PowerScan 9600 Family PRG.

## CM9680 Accessory for PD96xx Readers

The CM9680 can be used as an accessory for those who want to use an Ethernet interface with a PD96XX gun.



## TECHNICAL SPECIFICATIONS

ELECTRICAL CHARACTERISTICS	
Supply Voltage	<p><b>When used with BC96XX</b></p> <p><b>CM9630:</b> Host power 5VDC +-5% (*) or 10-30 Vdc +-5% External power 10-30 VDC +-5%</p> <p><b>CM9631:</b> Host power 5VDC +-5% (*) or 10-30 Vdc +-5%</p> <p><b>CM9680:</b> External power 5VDC +-5% or 10-30 Vdc +-5%</p> <p><b>When used as a separate accessory</b></p> <p><b>CM9680:</b> External power 5 -30 Vdc +-5%</p> <p>(*) with approved interface cables</p>
Power Consumption	1.5 A max
Indicators	<p><b>CM9680:</b></p> <ul style="list-style-type: none"> <li>- BF LED (red/green): network status;</li> <li>- LINK LED (yellow/green): link activity;</li> <li>- SF LED (red/green): module status;</li> <li>- PWR LED (green): power ON (this LED is not visible when installed in the cradle).</li> </ul>
ENVIRONMENTAL CHARACTERISTICS	
Working Temperature	-20° to +50 °C / -4 to +122 °F
Storage Temperature	-40° to +70 °C / -40 to +158 °F
Humidity	90% non condensing
Protection Class	CM9630 and CM9631 can only be used together with the base station BC96XX. Refer to BC96XX Quick Reference Guide for protection class information. CM9680 used alone as an accessory: IP40

## REGULATORY INFORMATION

All models are designed to be compliant with rules and regulations in locations they are sold and will be labeled as required. Any changes or modifications to equipment, not expressly approved by Datalogic could void the user's authority to operate the equipment.

### Statement of Agency Compliance

This device complies with part 15 of the FCC Rules. Operation is subject to the following two conditions: (1) this device may not cause harmful interference, and (2) this device must accept any interference received, including interference that may cause undesired operation.

### FCC Class B Compliance Statement

The user is cautioned that changes or modifications not expressly approved by the part responsible for compliance could void the user's authority to operate the equipment.

This equipment has been tested and found to comply with the limits for a Class B digital device pursuant to part 15 of the FCC Rules. These limits are designed to provide reasonable protection against harmful interference in a residential installation. This equipment generates, uses, and can radiate radio frequency energy and, if not installed and used in accordance with the instructions, may cause harmful interference to radio communications. However, there is no guarantee that interference will not occur in a particular installation. If this equipment does cause harmful interference to radio or television reception, which can be determined by turning the equipment off and on, the user is encouraged to try to correct the interference by one or more of the following measures:

- Reorient or relocate the receiving antenna.
- Increase the separation between the equipment and receiver.
- Connect the equipment into an outlet on a circuit different from that to which the receiver is connected.
- Consult the dealer or an experienced radio or television technician for help.

### Canada Notice

This equipment does not exceed the Class B limits for radio noise emissions as described in the Radio Interference Regulations of the Canadian Department of Communications.

Le présent appareil numérique n'émet pas de bruits radioélectriques dépassant les limites applicables aux appareils numériques de la classe B prescrites dans le Règlement sur le brouillage radioélectrique édicté par le ministère des Communications du Canada.



**CAUTION: Do not attempt to open or otherwise service any components in the optics cavity. Opening or servicing any part of the optics cavity by unauthorized personnel may violate laser safety regulations.**

### Customs Union

The CU conformity certification has been achieved; this allows the Product to bear the Eurasian mark of conformity.



### Power Supply

This device is intended to be connected to a UL Listed/CSA Certified computer which supplies power directly to the device or else be supplied by UL Listed/CSA Certified Power Unit marked "Class 2" or LPS power source rated 10-30V minimum 1.5A.

## CHINA ROHS TABLE OF RESTRICTED ELEMENTS

PART	光学组件 Cable	铅 Lead (Pb)	汞 Mercury (Hg)	镉 Cadmium (Cd)	六价铬 Hexavalent Chromium (Cr(VI))	多溴联苯 Polybrominated biphenyls (PBB)	多溴二苯醚 Polybrominated diphenyl ethers (PBDE)
Cable		X	O	O	O	O	O
Printed Circuit Board Assy		X	O	O	O	O	O
Assembly, Module		X	O	O	O	O	O
Power Supply		X	O	O	O	O	O

有毒有害物质或元素

本表格依据 SJ/T 11364 的规定编制。  
 O 表示该有害物质在该部件所有均质材料中的含量均在 GB/T 26572 规定的限量要求以下。  
 X 表示该有害物质在该部件的某一均质材料中的含量超出 GB/T 26572 规定的限量要求。

EFUP determined by "Look-up Method" (scanner). 环保使用期限取决于“查表法” (扫描仪)

## WEEE STATEMENT



**Waste Electrical and Electronic Equipment (WEEE) Statement**

### English

For information about the disposal of Waste Electrical and Electronic Equipment (WEEE), please refer to the website at [www.datalogic.com](http://www.datalogic.com).

### Italian

Per informazioni sullo smaltimento delle apparecchiature elettriche ed elettroniche consultare il sito Web [www.datalogic.com](http://www.datalogic.com).

### French

Pour toute information relative à l'élimination des déchets électroniques (WEEE), veuillez consulter le site internet [www.datalogic.com](http://www.datalogic.com).

### German

Informationen zur Entsorgung von Elektro- und Elektronik- Altgeräten (WEEE) erhalten Sie auf der Webseite [www.datalogic.com](http://www.datalogic.com).

### Spanish

Si desea información acerca de los procedimientos para el desecho de los residuos del equipo eléctrico y electrónico (WEEE), visite la página Web [www.datalogic.com](http://www.datalogic.com).

### Portuguese

Para informações sobre a disposição de Sucatagem de Equipamentos Elétricos e Eletrônicos (WEEE -Waste Electrical and Electronic Equipment), consultar o site web [www.datalogic.com](http://www.datalogic.com).

### Chinese

有关处理废弃电气电子设备 (WEEE) 的信息, 请参考 Datalogic 公司的网站 [www.datalogic.com](http://www.datalogic.com)。

### Japanese

廃電気電子機器 (WEEE) の処理についての関連事項は Datalogic のサイト [www.datalogic.com](http://www.datalogic.com) をご参照下さい。

### European Declaration of Conformity

Hereby, Datalogic S.r.l. declares that the full text of the European Declaration of Conformity is available at: [www.datalogic.com](http://www.datalogic.com). Select the Support & Service > Downloads > Product Certifications link where you can search for your specific product certification.

### UKCA Declaration of Conformity

Hereby, Datalogic S.r.l. declares that the full text of the UKCA Declaration of Conformity is available at: [www.datalogic.com](http://www.datalogic.com). Select the Support & Service >Downloads > Product Certifications link where you can search for your specific product certification.