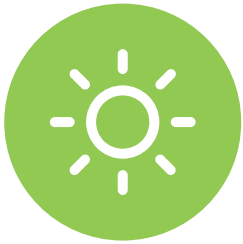


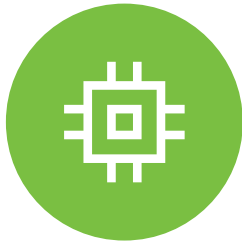
Metter HS2200



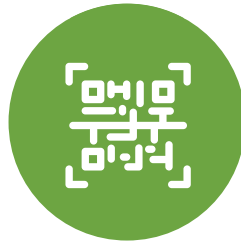
- ✔ Versatile connection: 2.4G+BT + connectivity to PCs and mobile devices
- ✔ Efficient scanning: capable of reading complex and high-density barcodes
- ✔ Quick updates: can be done online, in a matter of seconds



RED LED



ARM



1D/ 2D



Mobile payment



640x480 px

Features:

- » Fast scanning of 1D/2D barcodes, manual and automatic
- » 2600mAh battery, supports continuous scanning for up to 27 hours
- » Compatible with Windows, Android, Linux systems
- » 2.4G wireless + Bluetooth communication system
- » Ideal for industries such as manufacturing, pharmaceuticals, and retail



Retail



Hospitality



Healthcare



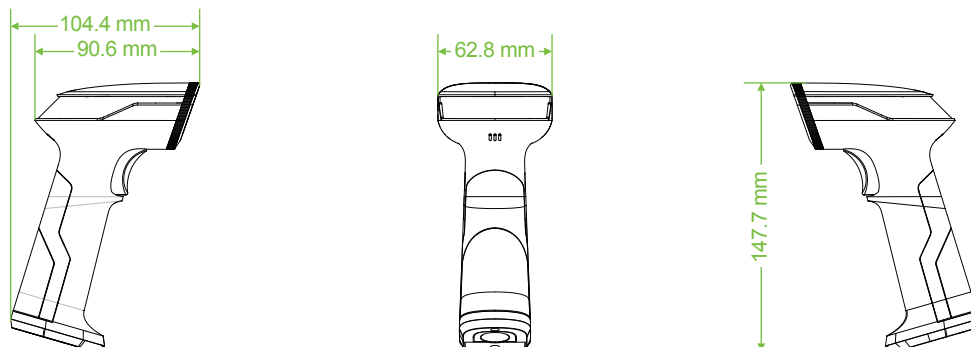
Production



Metter HS2200

Parameters:

Performance Parameters	
Light Level	White LED (visual), Red LED (targeting)
CPU	32bit ARM
Scanning Mode	Trigger and batch mode
Image Sensor	CMOS
CMOS Resolution	640x480 Pixels
Scanning Speed	60fps
Compatible System	Windows, Android, Linux / IOS
Minimum Resolution	≥4mil
Scanning Angle	360° rotation; 65° tilt; 60° height;
Decoding Depth	50~390mm(13mil code39)
Decoding Capabilities	<ul style="list-style-type: none">• 1D: Codabar, Code 11, Code39, Code32, Interleaved 2 of 5, Industrial 2 of 5, Matrix 2 of 5, Code93, Code128, GS1-128, UPC-A, UPC-E, EAN 8, EAN 13, GS1 DataBar (RSS14), GS1 DataBar Limited, GS1 DataBar Expanded, etc.• 2D: PDF417, Micro PDF417, QR Code, Micro QR, Data Matrix, Aztec Code
Product Parameters	
Dimensions	L*W*H: 147.7*90*62.8(mm)
Weight	188.4 g (scanner) 318.3g (charging base)
Materials	ABS+PC
Power Supply	DC 5V
Working Current	250mA
Standby Current	<90mA
Indicators	LED Indicator and Buzzer
Interface	USB / USB-VCP
Charging Method	Charging base, Type C interface
Charging Duration	4.5 hours
Standby Duration	6 months
Battery Operating Duration	27 hours
Battery	Rechargeable, replaceable, lithium, 2600mAh
Receiver Interface	USB
Other Parameters	
Connectivity	2.4G wireless, Bluetooth
Connectivity Range	Open space: 100m – in 2.4G mode, Open space: 100m – in Bluetooth mode
Humidity	5%~95% (non-condensing)
Temperature	• Operating Temperature: -10°C50°C • Storage Temperature: -20°C60°C
Light Source	0 ~ 5000Lux (fluorescent light), 0 ~ 100,000Lux (natural light)
Resistance	1.5m drop to concrete surface
IP standard	IP 54



ITGStore.ro

📍 41 Mehadia Street, district 6, 060541, Bucharest, Romania

☎ +4 031-780.03.18 🌐 <http://www.itgstore.ro> ✉ comenzi@itgstore.ro