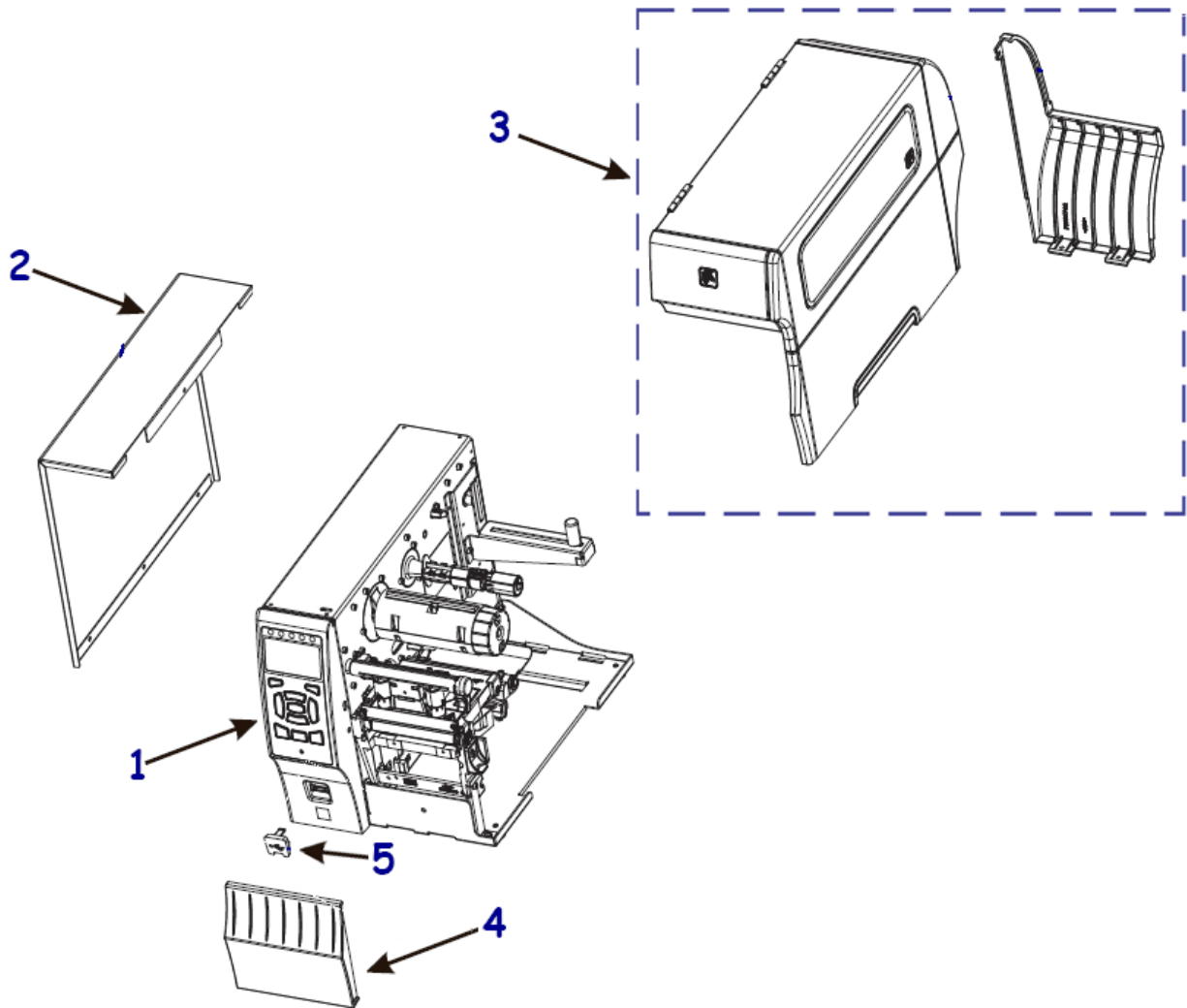
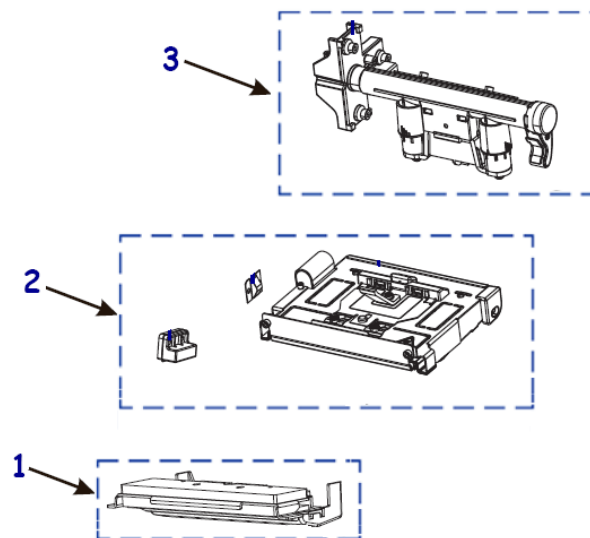


Outer Casing Components



Item Number	Description	Part Number	Kit Quantity
1	Kit Control Panel ZT410	P1058930-001	1
1	Kit Control Panel ZT420	P1058930-041	1
2	Kit Electronics Cover ZT400 Series	P1058930-003	1
3	Kit Media Cover (includes window) ZT410	P1058930-004	1
3	Kit Media Cover (includes window) ZT420	P1058930-005	1
	Kit Window for Media Cover ZT400 Series	P1058930-008	1
4	Kit Front Lower Panels ZT410 (includes tear and peel panels)	P1058930-006	1
4	Kit Front Lower Panels ZT420 (includes tear and peel panels)	P1058930-007	1
5	Kit Cover for USB port (Qty 3) ZT400 Series	P1058930-002	3

**Print Mechanism Components**

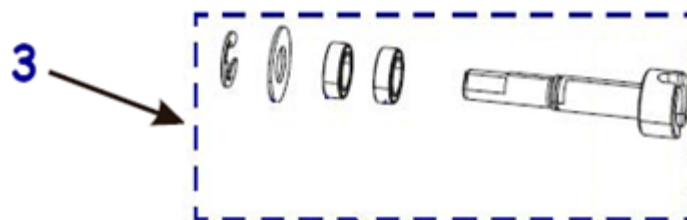
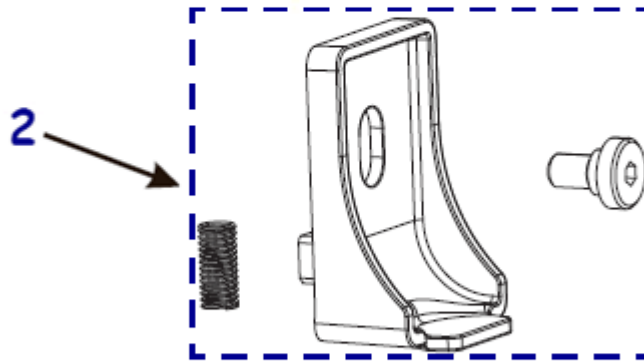
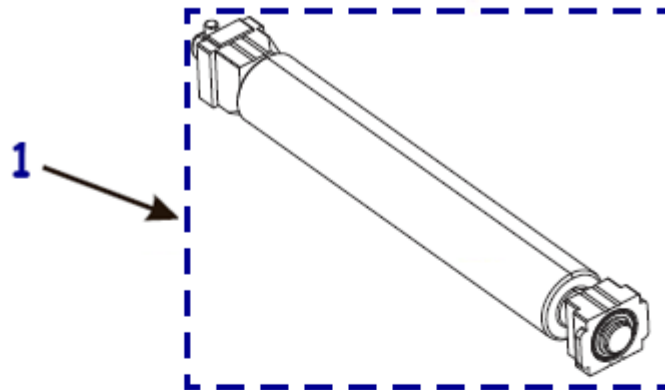


Item Number	Description	Part Number	Kit Quantity
1	Kit Printhead 203 dpi ZT410	P1058930-009	1
1	Kit Printhead 300 dpi ZT410	P1058930-010	1
1	Kit Printhead 600 dpi ZT410	P1058930-011	1
1	Kit Printhead 203 dpi ZT420	P1058930-012	1
1	Kit Printhead 300 dpi ZT420	P1058930-013	1
2	Kit Thermal Transfer Print Mechanism ZT410 (includes ribbon sensor with cable, printhead cables, ground contact and magnets)	P1058930-016	1
2	Kit Thermal Transfer Print Mechanism ZT420 (includes ribbon sensor with cable, printhead cables, ground contact and magnets)	P1058930-017	1
3	Kit Toggle Bar (includes lift strap) ZT410	P1058930-018	1
3	Kit Toggle Bar (includes lift strap) ZT420	P1058930-019	1
	Kit Ribbon Strip Plate and Ribbon Static Brush ZT410	P1058930-087	1
	Kit Ribbon Strip Plate and Ribbon Static Brush ZT420	P1058930-088	1
	Kit Magnets for holding the Print Mechanism open	P1058930-082	1
	Kit Ground Contact ZT400 Series	P1058930-083	1

**Printhead dpi conversion kits**

Item Number	Description	Part Number	Kit Quantity
	Kit Convert to 300 dpi ZT410	P1058930-022	1
	Kit Convert to 203 dpi ZT410	P1058930-023	1
	Kit Convert to 600 dpi ZT410	P1058930-024	1
	Kit Convert to 300 dpi ZT420	P1058930-025	1
	Kit Convert to 203 dpi ZT420	P1058930-026	1

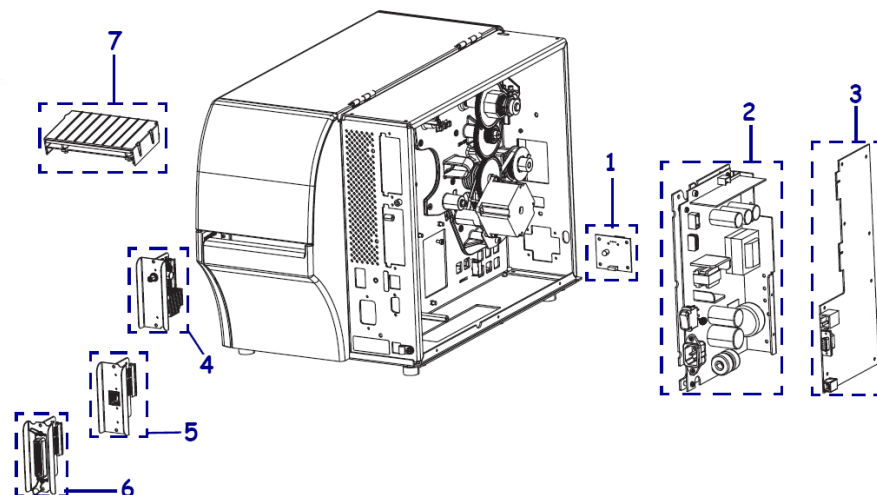
Platen Roller



Item Number	Description	Part Number	Kit Quantity
1	Kit Platen Roller ZT410	P1058930-080	1
1	Kit Platen Roller ZT420	P1058930-081	1
2	Kit Lock/Retainer for the Platen Roller ZT400 Series	P1058930-027	1
3	Kit Coupler for Platen Roller ZT400 Series	79862M	1

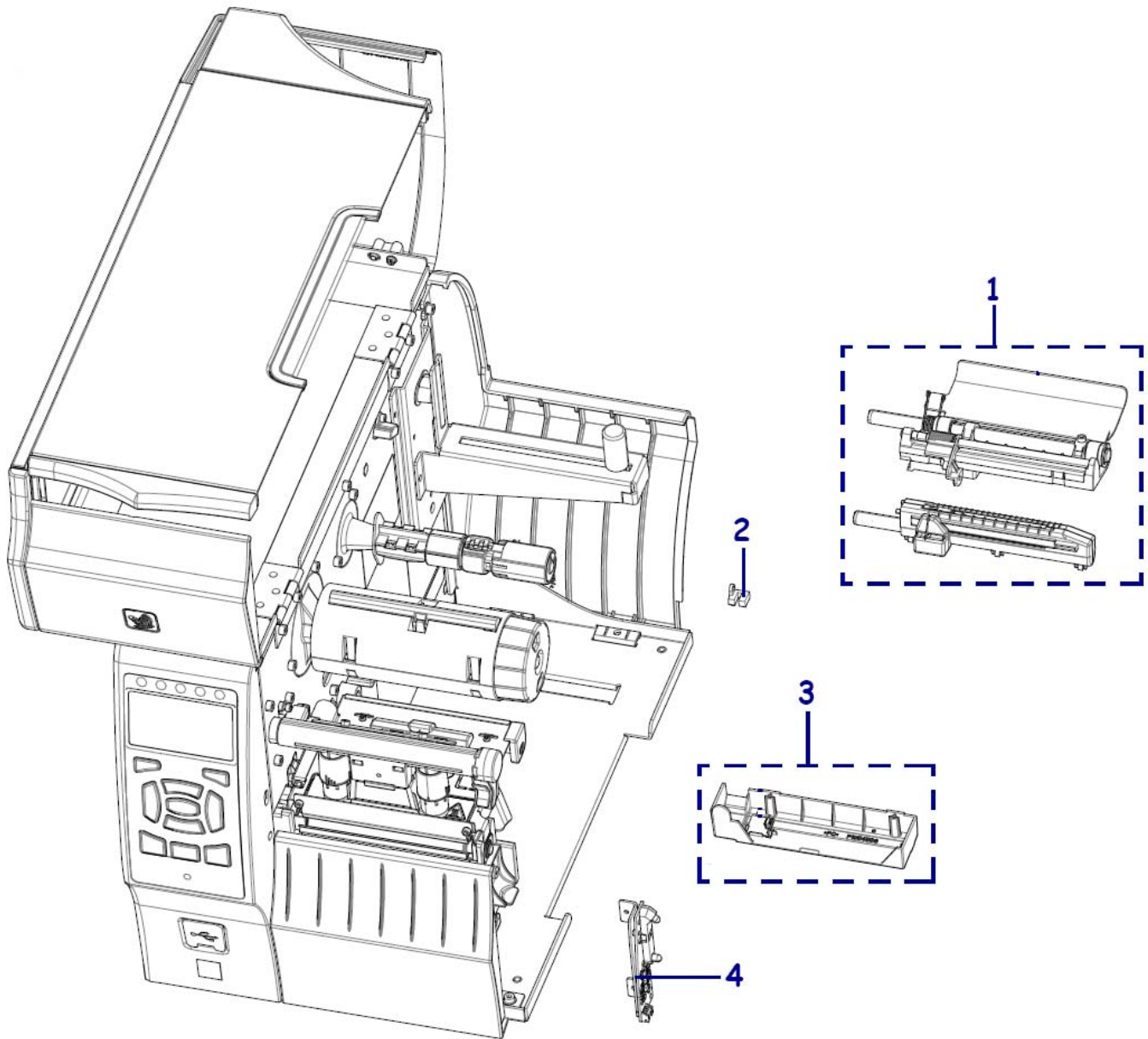
ZT400 Series Parts Catalog

Electronics



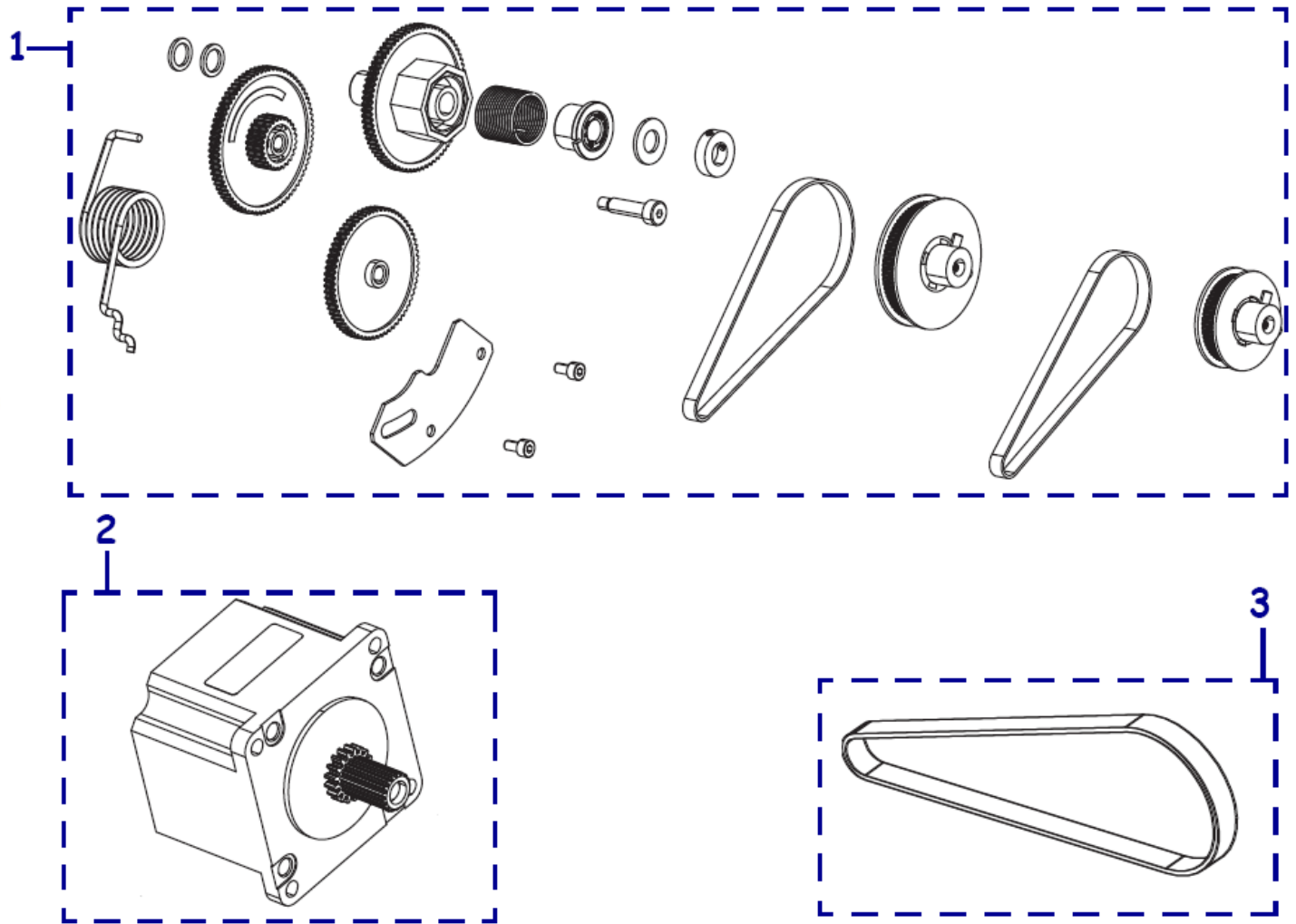
Item Number	Description	Part Number	Kit Quantity
1	Kit USB PCBA ZT400 Series	P1058930-029	1
2	Kit Power Supply ZT400 Series	P1058930-032	1
3	Kit Main Logic Board ZT400 Series	P1058930-030	1
	Kit Mounting Bracket for the Main Logic Board ZT400 Series	P1058930-031	1
4	Kit ZebraNet Internal Wireless 802.11 n radio ZT400 Series USA & Canada	P1058930-093A	1
4	Kit ZebraNet Internal Wireless 802.11 n radio ZT400 Series Japan	P1058930-093B	1
4	Kit ZebraNet Internal Wireless 802.11 n radio ZT400 Series Global (Europe, Asia, South America, Middle East, Africa, etc... and all nations that are NOT USA, Canada or Japan)	P1058930-093C	1
5	Kit Internal Printserver (Ethernet port) ZT400 Series	P1058930-074	1
6	Kit Parallel Port ZT400 Series	P1058930-075	1
7	Kit RFID Module USA & Canada ZT400 Series	P1058930-500A	1
7	Kit RFID Module Japan ZT400 Series	P1058930-500B	1
7	Kit RFID Module Global (All countries except USA, Canada, Japan) ZT400 Series	P1058930-500C	1
	Kit Replacement RFID Cables and Hardware ZT400 Series	P1058930-503	1
	Kit Shutdown Power Module ZT400 Series	P1058930-033	1
	Kit Light Assemblies (Includes 1 Print Mechanism Light & 1 Media Light)	P1058930-079	2
	Kit Replacement Antenna for 802.11n Radio	P1037974-053	1
	Kit Electronics Cables ZT400 Series	P1058930-034	1
	USA Power Cord	46693	1
	Europe Power Cord	46629	1
	UK Power Cord	46637	1
	Japan Power Cord	37609	1
	China Power Cord	47612	1

Sensors



Item Number	Description	Part Number	Kit Quantity
1	Kit Media Sensor ZT410	P1058930-035	1
1	Kit Media Sensor ZT420	P1058930-036	1
2	Kit Head Open Sensor ZT400 Series	P1058930-084	1
3	Kit Ribbon Sensor ZT410	P1058930-037	1
3	Kit Ribbon Sensor ZT420	P1058930-038	1
4	Kit Take Label Sensor ZT400 Series	P1058930-077	1

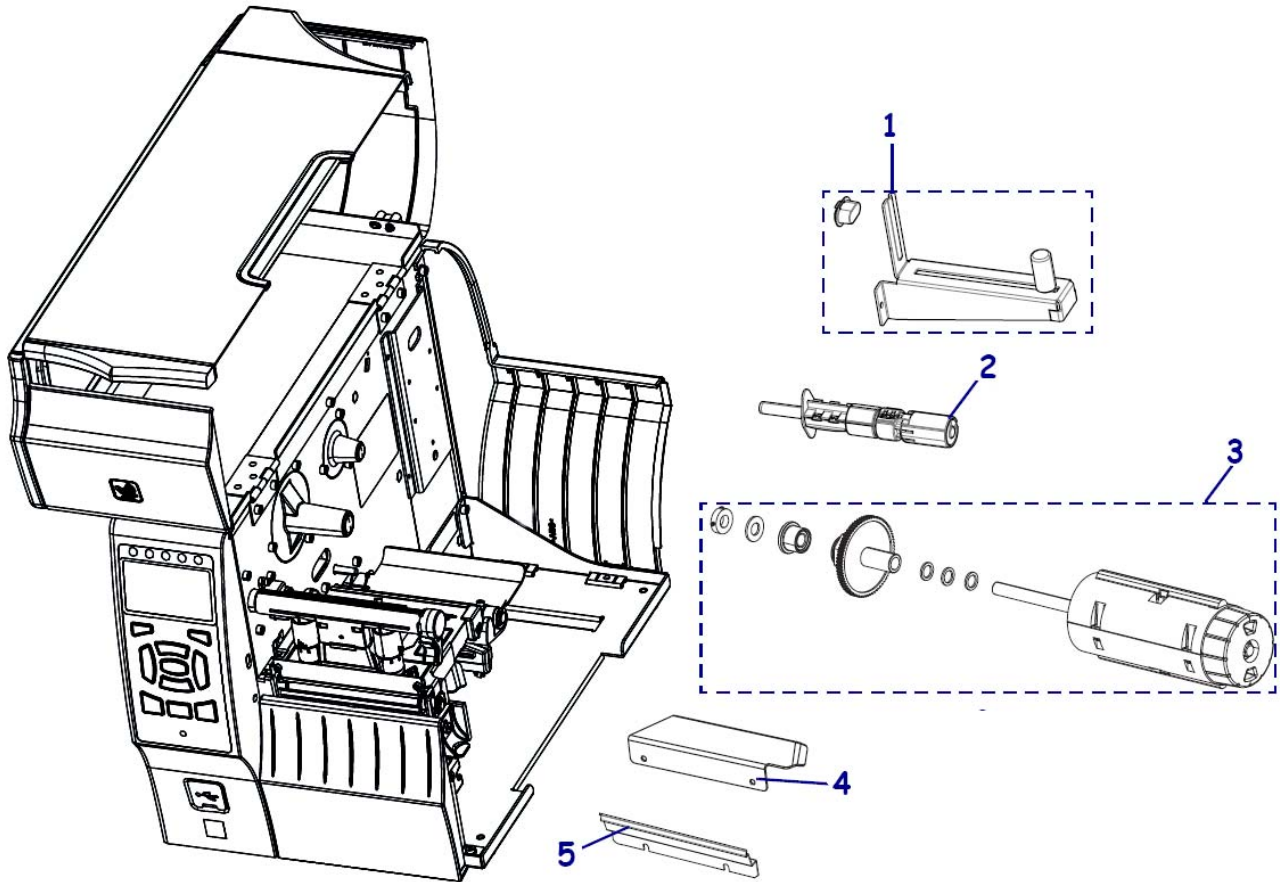
Drive System Components



Item Number	Description	Part Number	Kit Quantity
1	Kit Drive System ZT400 Series (includes gears, belts and pulleys for 203 dpi and 300/600 dpi)	P1058930-039	1
2	Kit Drive Motor ZT400 Series	P1058930-040	1
3	Kit Drive Belt 203 dpi ZT400 Series	79866M	1
3	Kit Drive Belt 300 dpi and 600 dpi ZT400 Series	79867M	1

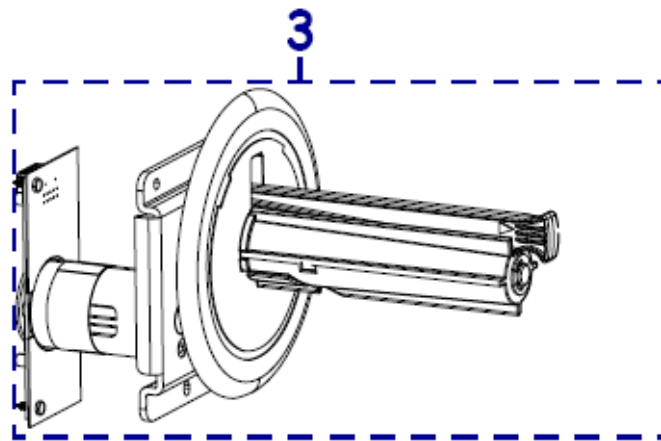
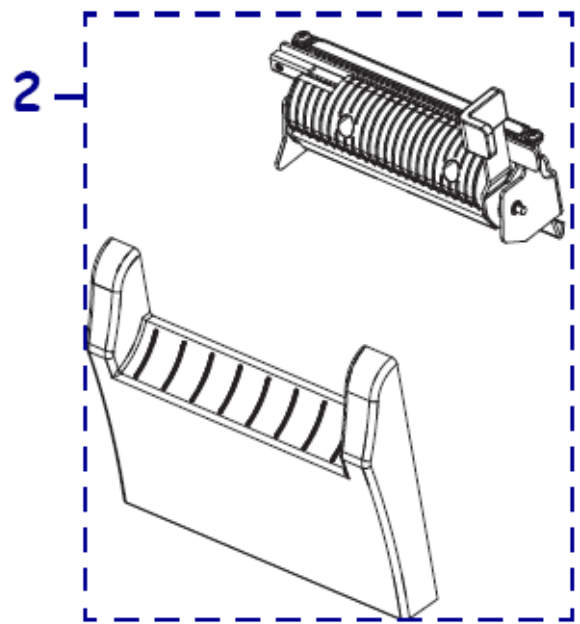
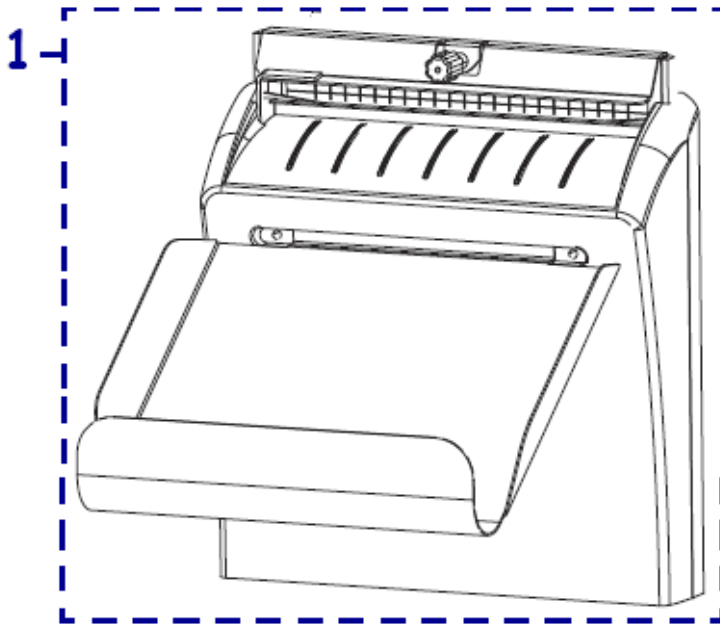


Media Path Components



Item Number	Description	Part Number	Kit Quantity
1	Kit Standard Media Hanger for 3" (76mm) diameter media cores ZT410	P1058930-042	1
	Kit Media Hanger for 1" (25mm) diameter media cores ZT410 only	P1058930-086	1
1	Kit Standard Media Hanger ZT420	P1058930-043	1
2	Kit Ribbon Supply Spindle ZT410	P1058930-085	1
2	Kit Ribbon Supply Spindle: For Ribbons Coated Inside Only ZT410	79830M	1
2	Kit Ribbon Supply Spindle ZT420	79829M	1
3	Kit Ribbon Take Up Spindle ZT410	P1058930-045	1
3	Kit Ribbon Take Up Spindle ZT420	P1058930-046	1
4	Kit Media Shelf ZT410	P1058930-047	1
4	Kit Media Shelf ZT420	P1058930-048	1
5	Kit Tear Bar ZT410	79837M	1
5	Kit Tear Bar ZT420	79838M	1

Field Installable Media Handling Options: Cutter - Peel - Liner Take Up



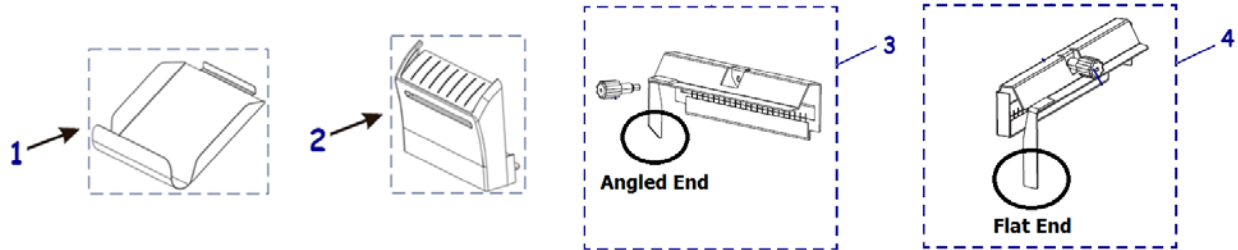
Item Number	Description	Part Number	Kit Quantity
1	Kit Cutter Option ZT410	P1058930-089	1
1	Kit Cutter Option ZT420	P1058930-090	1
2	Kit Peel Assembly ZT410	P1058930-076	1
2	Kit Peel Assembly ZT420	P1058930-051	1
3	Kit Liner Take Up Spindle & Motor ZT410 (To enable liner take up functionality, also purchase the P1058930-076 peel assembly)	P1058930-052	1



**ZT400 Series Parts Catalog**

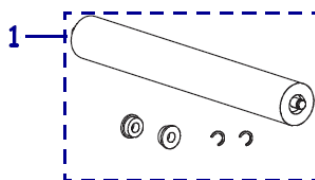
**Replacement Components for Cutter and Peel Options**

**Cutter Replacement Components**



Item Number	Description	Part Number	Kit Quantity
1	Kit Catch Tray for Cutter ZT410	77041	1
1	Kit Catch Tray for Cutter ZT420	77997	1
2	Kit Cover for the Cutter includes PCBA and cutter cable ZT410. When installing the cover & PCBA included in this kit, be sure to install the Flat End cutter guard that is included with this kit at the same time. The PCBA included in this kit is only compatible with Flat End cutter guard that is included in this kit.	P1058930-091	1
2	Kit Cover for the Cutter includes PCBA and cutter cable ZT420. When installing the cover & PCBA included in this kit, be sure to install the Flat End cutter guard that is included with this kit at the same time. The PCBA included in this kit is only compatible with Flat End cutter guard that is included in this kit.	P1058930-092	1
3	Kit Replacement Static Brush & Cutter Guard with the Angled End Sensor Flag (old design) ZT410. Order this replacement item if the printer currently has an Angled End cutter guard installed.	79864M	1
3	Kit Replacement Static Brush & Cutter Guard with the Angled End Sensor Flag (old design) ZT420. Order this replacement item if the printer currently has an Angled End cutter guard installed.	79865M	1
4	Kit Replacement Static Brush & Cutter Guard with the Flat End Sensor Flag (new design) ZT410. Order this replacement item if the printer currently has a Flat End cutter guard installed.	P1066612	1
4	Kit Replacement Static Brush & Cutter Guard with the Flat End Sensor Flag (new design) ZT420. Order this replacement item if the printer currently has a Flat End cutter guard installed.	P1066613	1

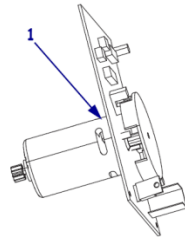
**Peel Assembly Replacement Components**



Item Number	Description	Part Number	Kit Quantity
1	Kit Roller for the Peel Assembly ZT410	77197M	1
1	Kit Roller for the Peel Assembly ZT420	77727M	1

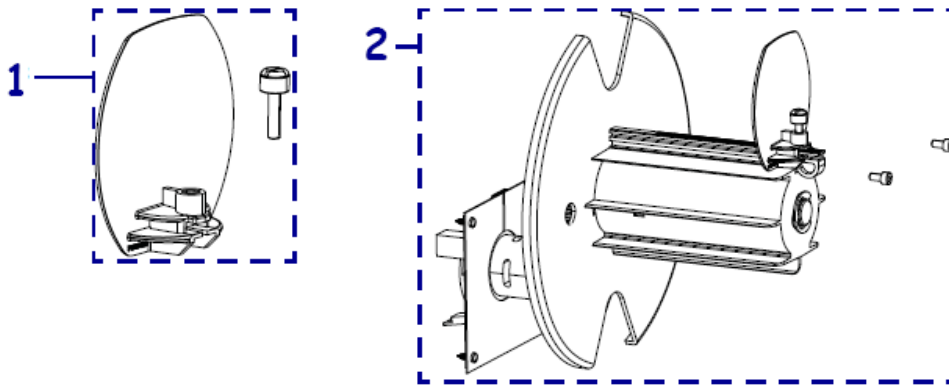
**Replacement Components for Liner Take-Up and Media Rewind Options**

Liner Take-Up (LTU) Replacement Components



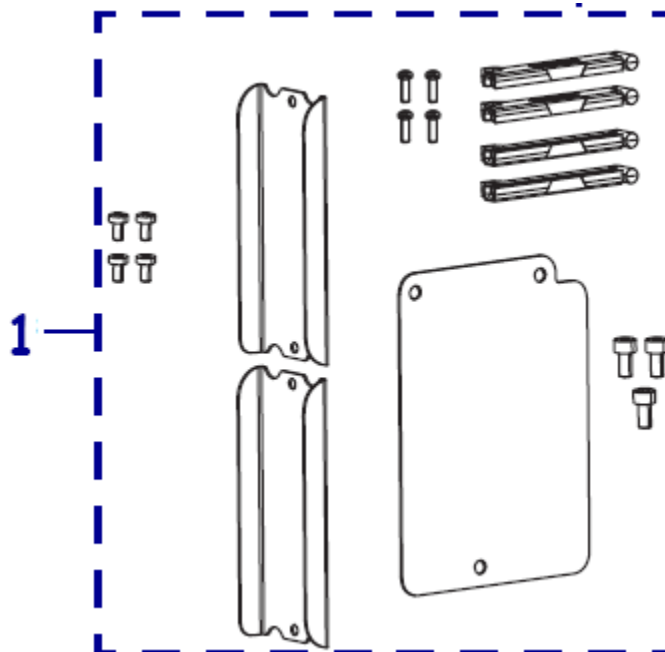
Item Number	Description	Part Number	Kit Quantity
1	Kit Motor and PCBA for Liner Take Up Spindle ZT410	G34112M	1

Media Rewind Replacement Components



Item Number	Description	Part Number	Kit Quantity
1	Kit Media Guard for Media Rewind Spindle ZT400 Series	P1058930-057	1
2	Kit Media Rewind Spindle (includes Motor and PCBA) ZT410 (This item is only for replacing an existing media rewind spindle on a printer that shipped from the factory with the media rewind option installed. Media rewind is not a field installable option)	P1058930-058	1
2	Kit Media Rewind Spindle (includes Motor and PCBA) ZT420 (This item is only for replacing an existing media rewind spindle on a printer that shipped from the factory with the media rewind option installed. Media rewind is not a field installable option)	P1058930-059	1
	Kit Motor and PCBA for Media Rewind Spindle ZT410	G34110M	1
	Kit Motor and PCBA for Media Rewind Spindle ZT420	G34111M	1
	Kit Steer Roller for Media Rewind ZT410	P1058930-055	1
	Kit Steer Roller for Media Rewind ZT420	P1058930-056	1
	Kit Door and Trim for Media Rewind ZT410	P1058930-060	1
	Kit Door and Trim for Media Rewind ZT420	P1058930-061	1

Covers & Miscellaneous Hardware



Item Number	Description	Part Number	Kit Quantity
1	Kit Covers/Mounts for Options ZT400 Series	P1058930-062	1
	Kit Assorted Hardware ZT400 Series (various screws and washers used throughout the printer)	P1058930-065	1
	Kit Feet on bottom of printer (Qty 20) ZT400 Series	P1058930-078	20

Packaging Materials for Printer Shipping

Item Number	Description	Part Number	Kit Quantity
	Kit Packaging for ZT410 (Qty 1)	P1058930-066	1
	Kit Packaging for ZT410 (Qty 8)	P1058930-067	8
	Kit Packaging for Media Rewind Versions of ZT410 (Qty 1)	P1058930-070	1
	Kit Packaging for ZT420 (Qty 1)	P1058930-068	1
	Kit Packaging for ZT420 (Qty 8)	P1058930-069	8
	Kit Packaging for Media Rewind Versions of ZT420 (Qty 1)	P1058930-071	1