



USER MANUAL

G500 SERIES



TABLE OF CONTENTS

1	Barcode Printer	001
1-1	Box Content	001
1-2	Getting To Know Your Printer	002
2	Printer Setup	004
2-1	Open The Printer Cover	004
2-2	Open The Printing Mechanism	004
2-3	Loading The Ribbon	005
2-4	Loading The Label Roll	007
2-5	Installing The Label Supply Hub	009
2-6	Preparing For Tag Printing	010
2-7	Connecting The Printer To The Host Computer	011
2-8	Installing The Driver	012
3	Operation Panel	015
3-1	LED Operation Panel	015
3-2	Label size calibration and Self Test Page	016
3-3	Error Alerts	017
4	NetSetting for Ethernet	018
4-1	Installing The NetSetting Software	019
4-2	The Interface Of NetSetting	020
5	Accessories	026
5-1	Installing The Label Dispenser	027
5-2	Installing The Cutter	032
6	Maintenance And Adjustment	036
6-1	Cleaning The Print Head	036
6-2	Adjusting The Print Head Pressure	036
6-3	Adjusting The Print Line	037
6-4	Adjusting The Cutter	037
6-5	Troubleshooting	038
Appendix	039
A	Product Specifications	039
B	Interface	043

FCC COMPLIANCE STATEMENT FOR AMERICAN USERS

This equipment has been tested and found to comply with the limits for a CLASS A digital device, pursuant to Part 15 of the FCC Rules. These limits are designed to provide reasonable protection against harmful interference when the equipment is operated in a commercial environment. This equipment generates, uses, and can radiate radio frequency energy and, if not installed and used in accordance with the instructions, may cause harmful interference to radio communications. Operation of this equipment in a residential area is likely to cause harmful interference in which case the user will be required to correct the interference at own expense.

EMS AND EMI COMPLIANCE STATEMENT FOR EUROPEAN USERS

This equipment has been tested and passed with the requirements relating to electromagnetic compatibility based on the standards EN 55022:1998+A1:2000+A2:2003, CISPR 22, Class A EN 55024:1998+A1:2001+A2:2003, IEC 61000-4 Series EN 61000-3-2 / 2000 & EN 61000-3-3 / 1995. The equipment also tested and passed in accordance with the European Standard EN55022 for the both Radiated and Conducted emissions limits.

G500 SERIES TO WHICH THIS DECLARATION RELATES IS IN CONFORMITY WITH THE FOLLOWING STANDARDS

EN55022 : 1998, CISPR 22, Class A / EN55024 : 1998 / IEC 61000-4 Serial / EN61000-3-2 : 2000 / EN 61000-3-3 : 1995 / CFR 47, Part 15/CISPR 22 3rd Edition : 1997, Class A / ANSI C63.4 : 2001 / CNS 13438 / IEC 60950-1:2005 (EN 60950-1:2006+A11:2009) / GB4943 : 2001 / GB9254 : 1998 / GB17625.1 : 2003 / EN60950-1 : 2001

CAUTION

- Danger of explosion if battery is incorrectly replaced
- Replace only with the equivalent type recommended by the manufacturer.
- Dispose of used batteries according to the manufacturer's instructions.
- Only use with designated power supply adapter model.
- Changes or modifications not expressly approved by the party responsible for compliance could void the user's authority to operate the equipment.

SAFETY INSTRUCTIONS

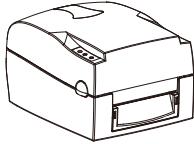
Please read the following instructions carefully.

- Keep the equipment away from humidity.
- Before you connect the equipment to the power outlet, please check the voltage of the power source.
- Make sure the printer is off before plugging the power connector into the power jack.
- It is recommended that you connect the printer to a surge protector to prevent possible transient overvoltage damage.
- Be careful not to get liquid on the equipment to avoid electrical shock.
- For safety and warranty reasons, ONLY qualified service personnel should open the equipment.
- Do not repair or adjust energized equipment under any circumstances.

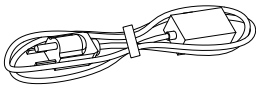
1-1 Box Content

Please check that all of the following items are included with your printer.

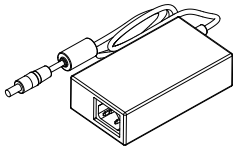
- Barcode Printer



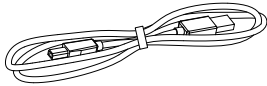
- Power Cord



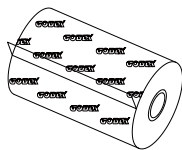
- AC Adapter



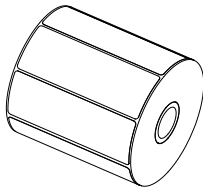
- USB Cable



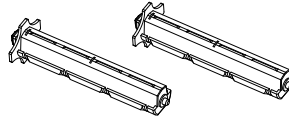
- Ribbon



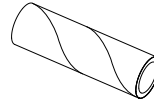
- Label Stock



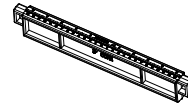
- Ribbon Hubs (set of 2)



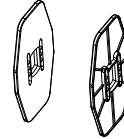
- Empty Ribbon Core



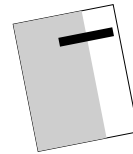
- Label Supply Hub



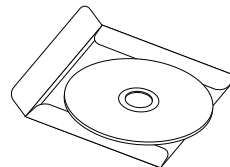
- Label Guide Plates (set of 2)



- Quick Reference Guide



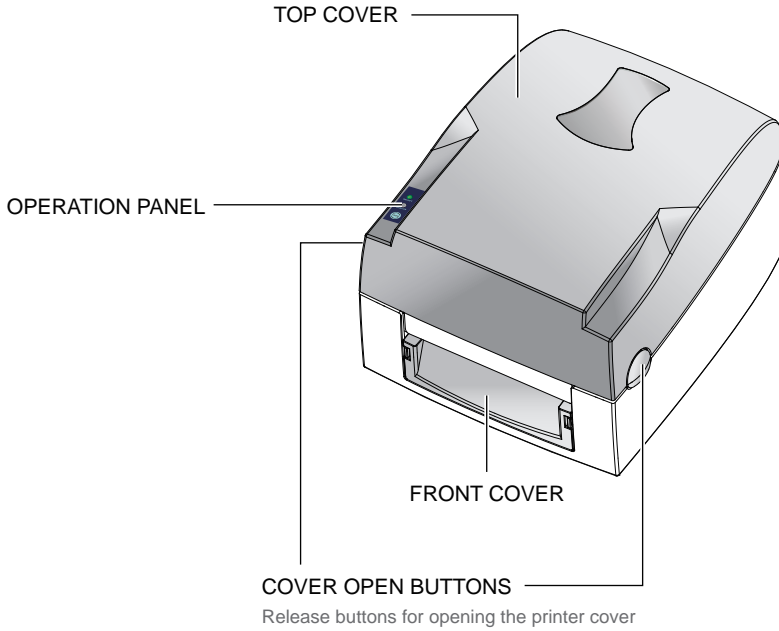
- CD (with QLabel software / user manual)



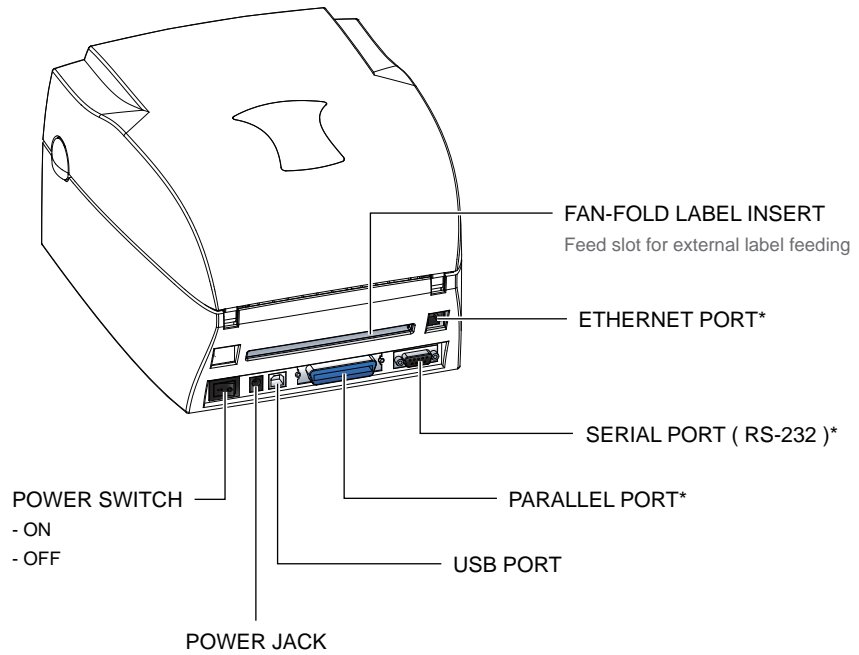
1-2 Getting To Know Your Printer

▶ Device Overview

- Front View



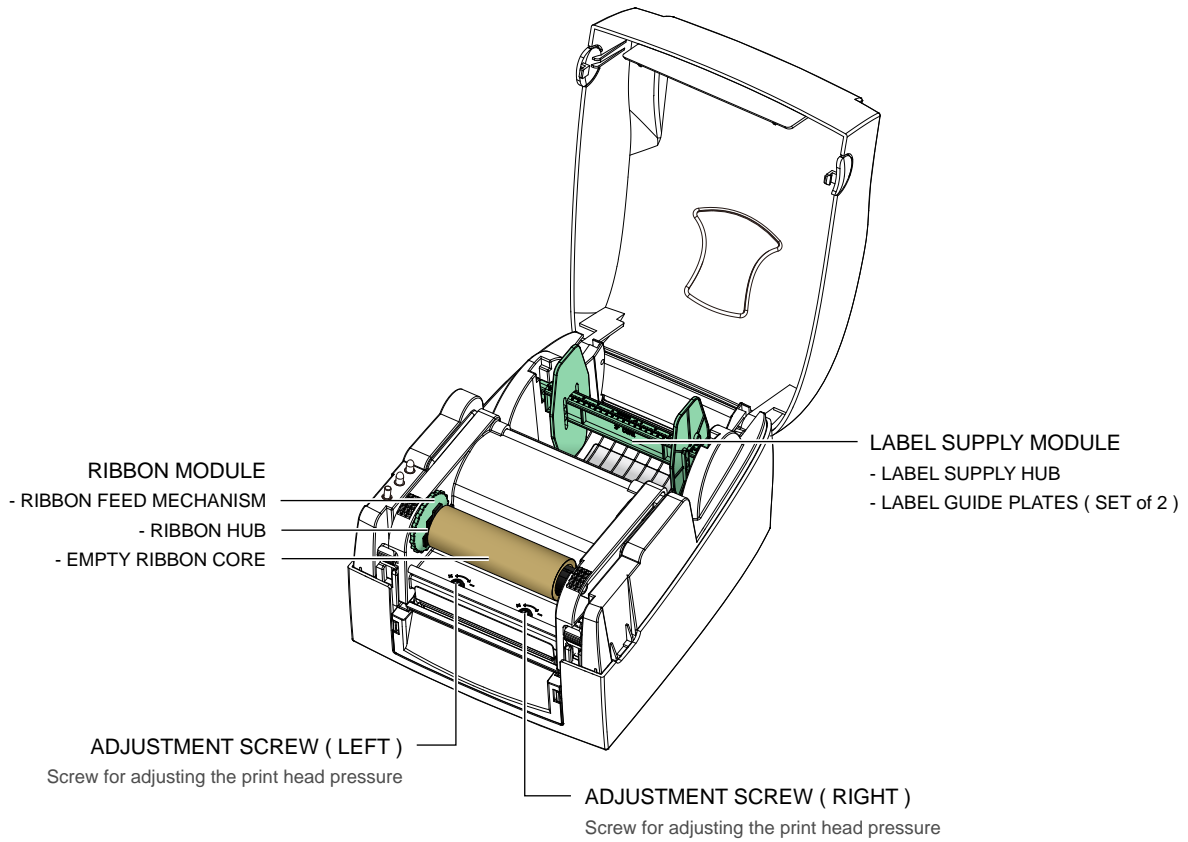
- Rear View



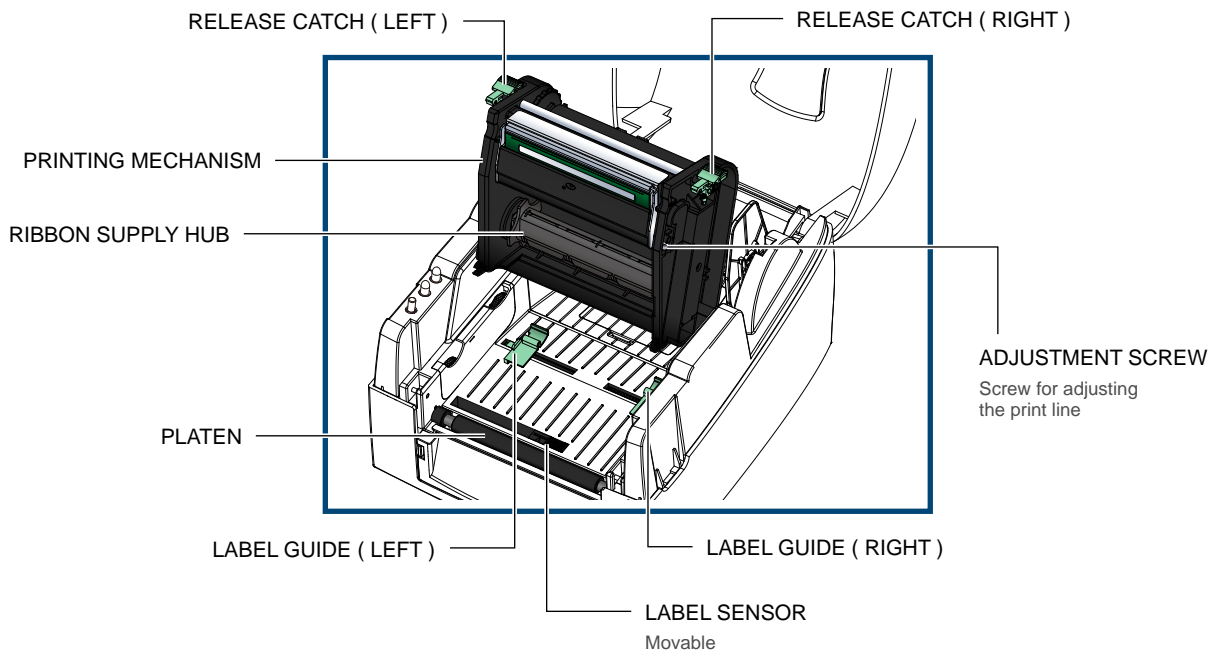
NOTICE

- The combination of connection ports may vary with printer model.

► Open The Printer Cover



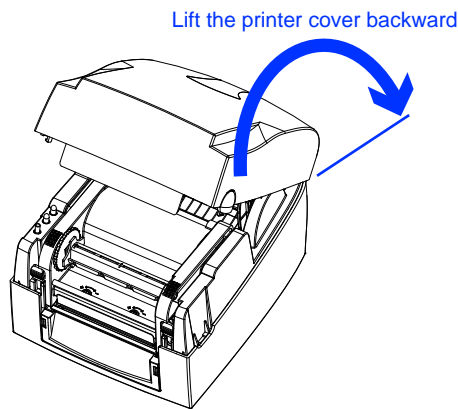
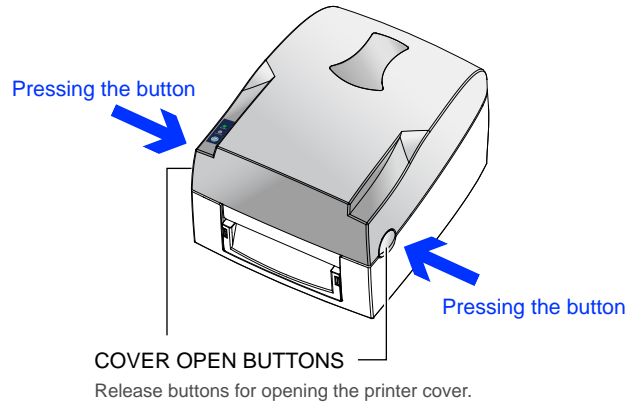
► Open The Printing Mechanism



2-1 Open The Printer Cover

▶ Pressing The Cover Open Buttons

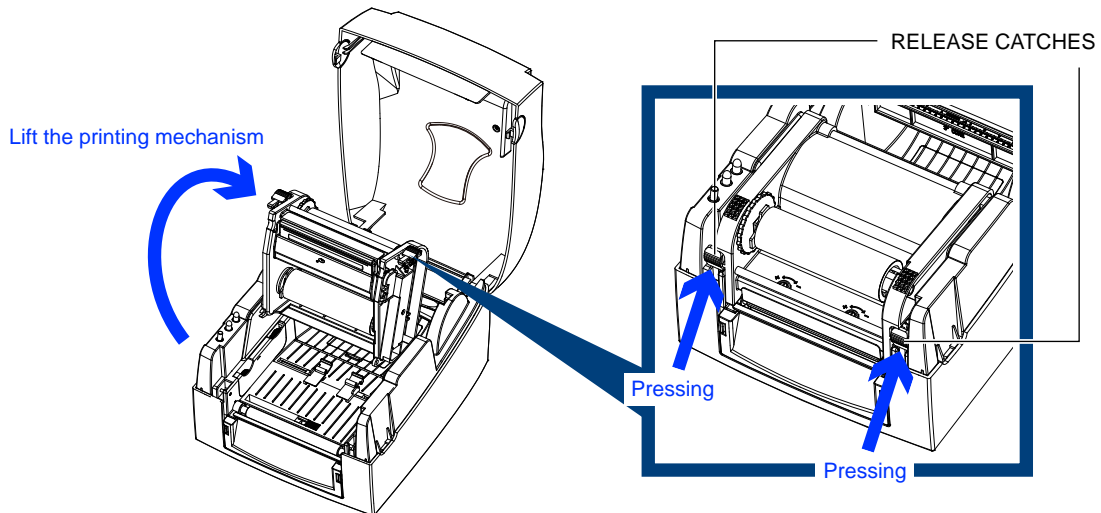
Place the printer on a flat surface. Open the printer cover by pressing the release buttons on both sides of the printer housing and lift the cover.



2-2 Open The Printing Mechanism

▶ Pressing The Release Catches

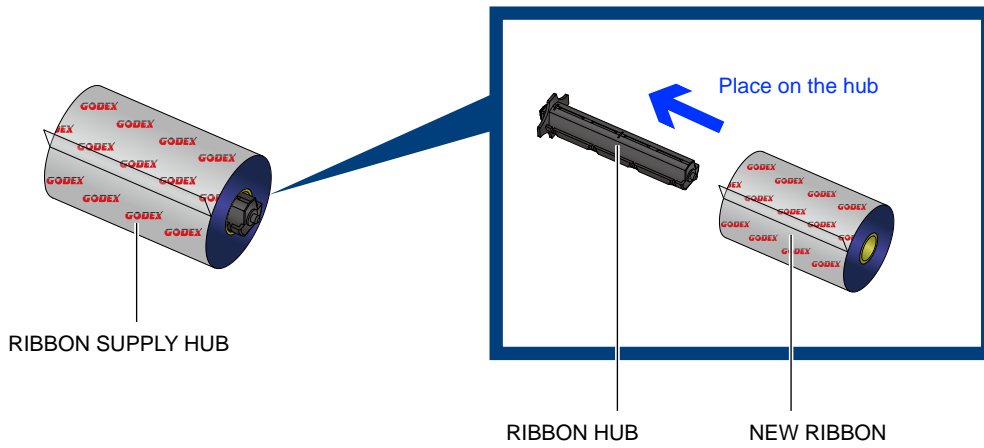
Release and lift the printing mechanism.



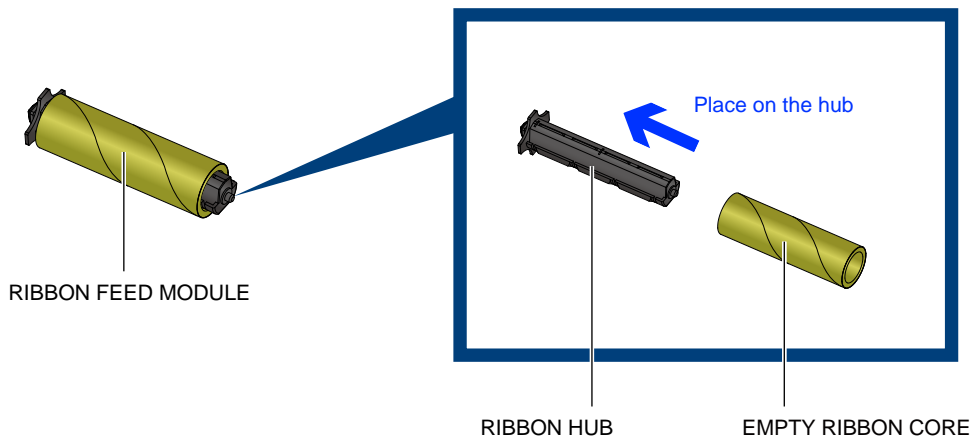
2-3 Loading The Ribbon

▶ A New Ribbon Module Installation

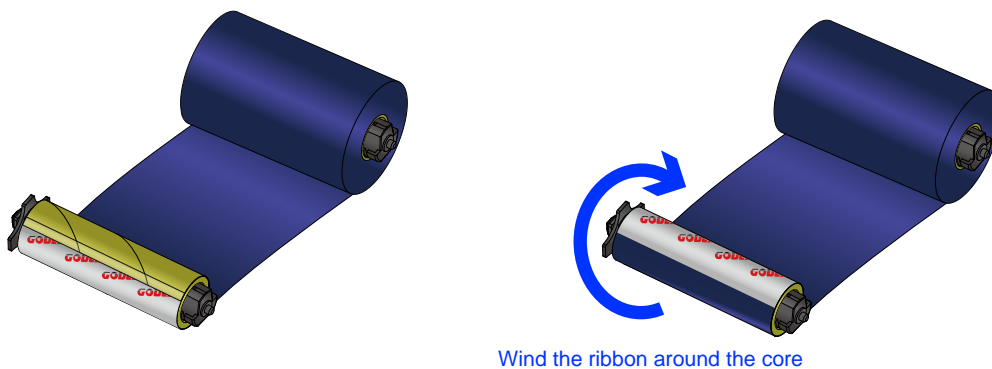
Place the new ribbon on the hub which forms a ribbon supply hub.



Place the empty ribbon core on the hub which forms a ribbon rewind hub.

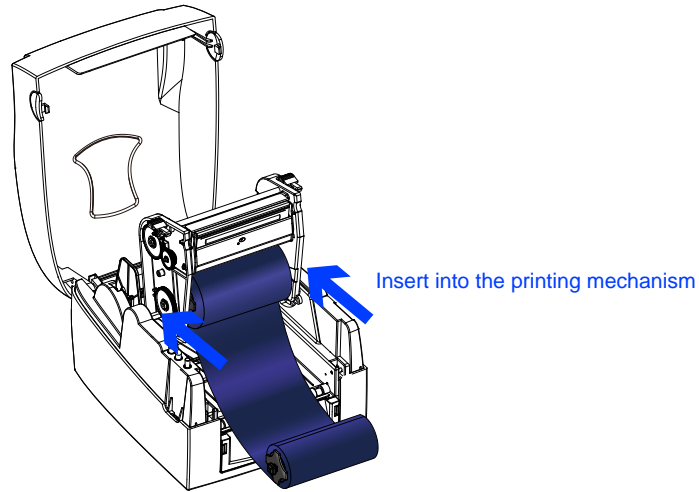


Stick the ribbon supply hub on the ribbon rewind hub and wind the rewind hub 2~3 circles.

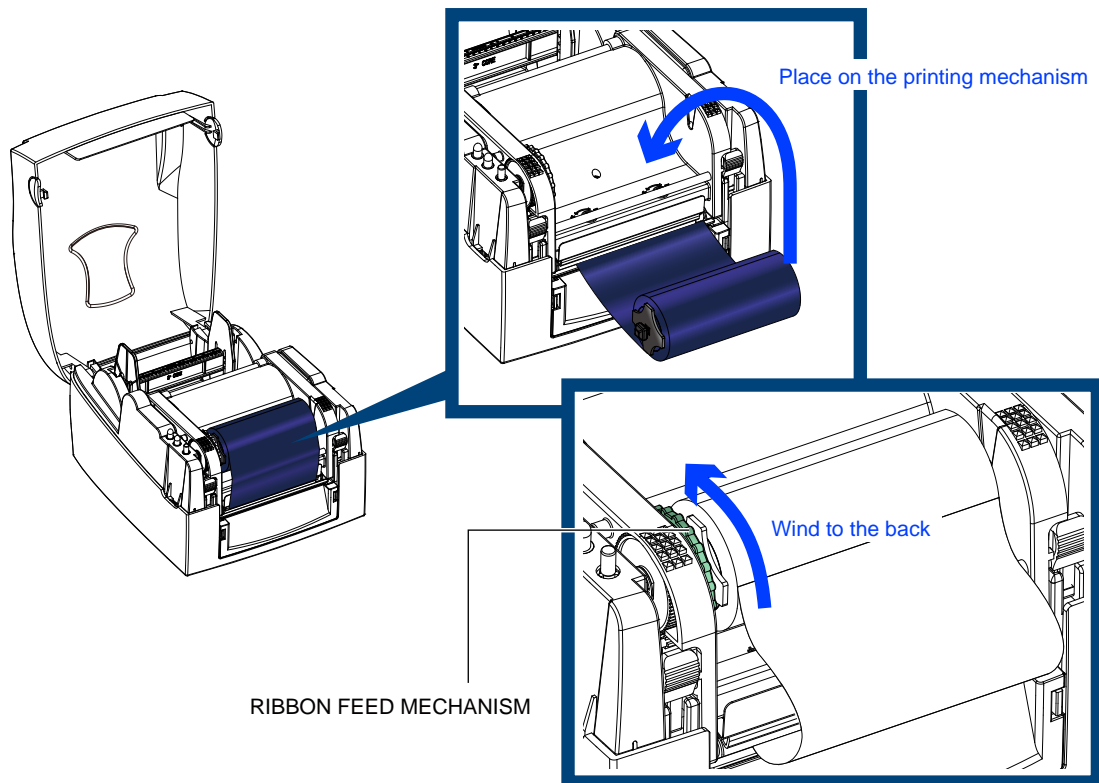


► **Install The Ribbon On The Printer**

Place the ribbon supply hub at the back of the printing mechanism.



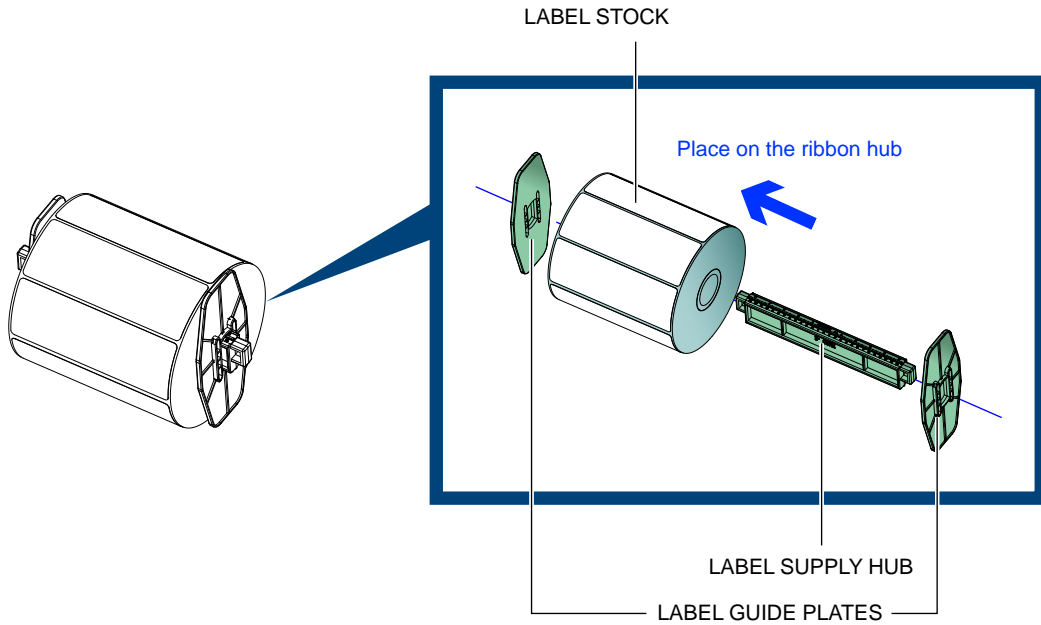
Pass the ribbon supply hub under the print head.
Insert the ribbon hub on the ribbon feed mechanism.
Close the printing mechanism, making sure that it clicks into place.



2-4 Loading The Label Roll

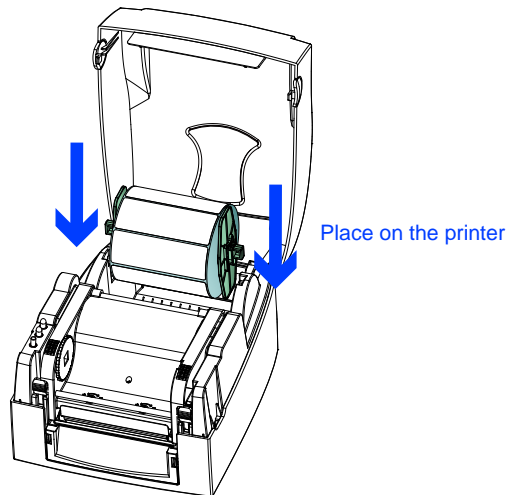
▶ **A New Label Roll Module Installation**

Place the label stock on the label supply hub, attach the guide plates to the label stock holder.



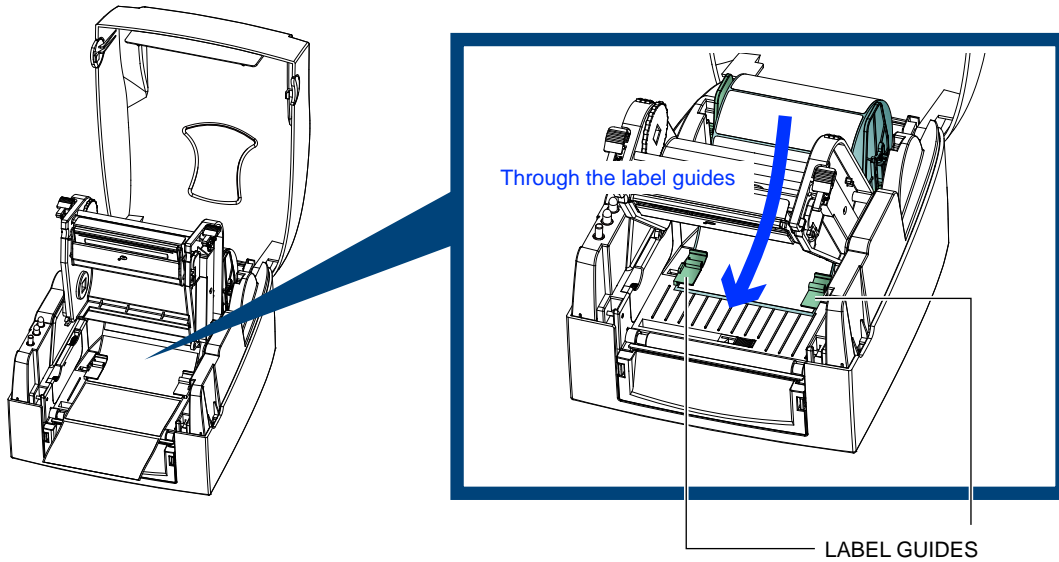
▶ **Install The Label Roll Module On The Printer**

Now load the label stock into the printer.

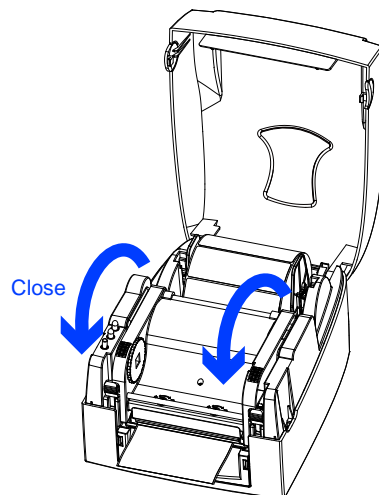


2 Printer Setup

Release the printing mechanism and lift it.
Pass the labels through the label guides up to the tear-off plate.
Adjust the label guides to the label width.



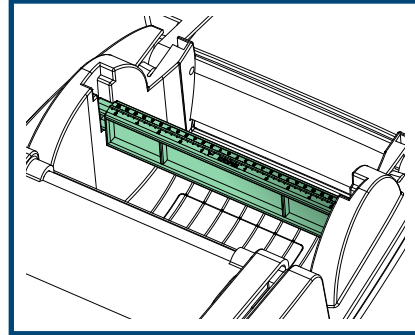
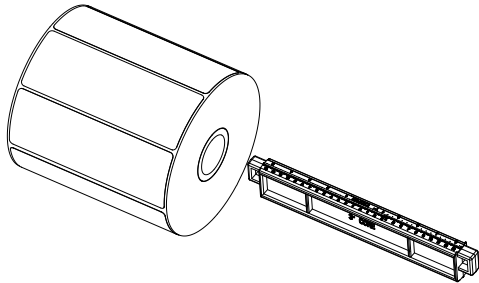
Close the printing mechanism.



2-5 Installing The Label Supply Hub

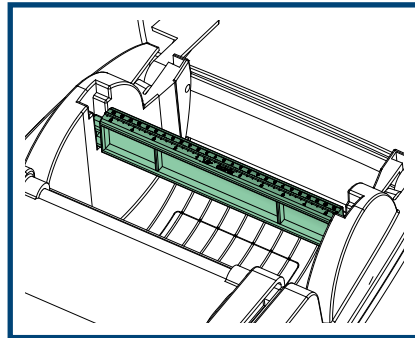
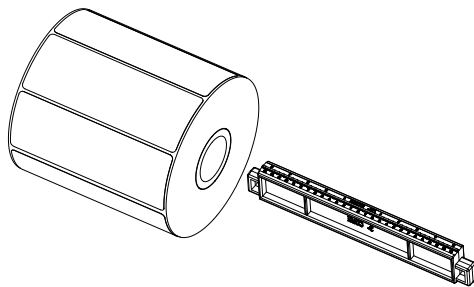
▶ **1" Cores**

Installing the label supply hub for 1" cores.



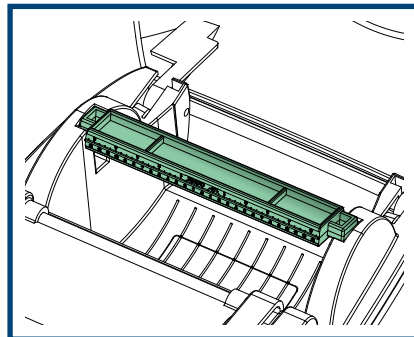
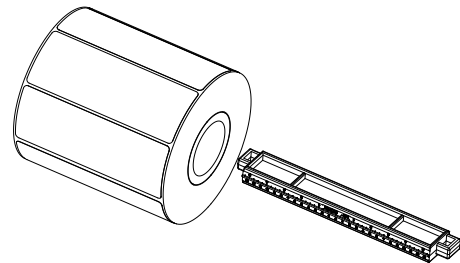
▶ **1.5" Cores**

Installing the label supply hub for 1.5" cores.



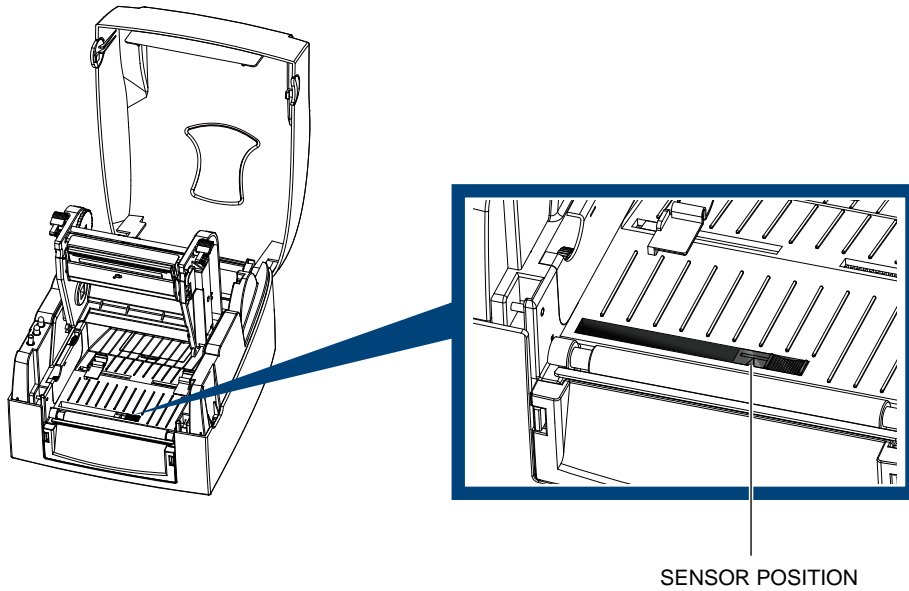
▶ **3" Cores**

Installing the label supply hub for 3" cores.



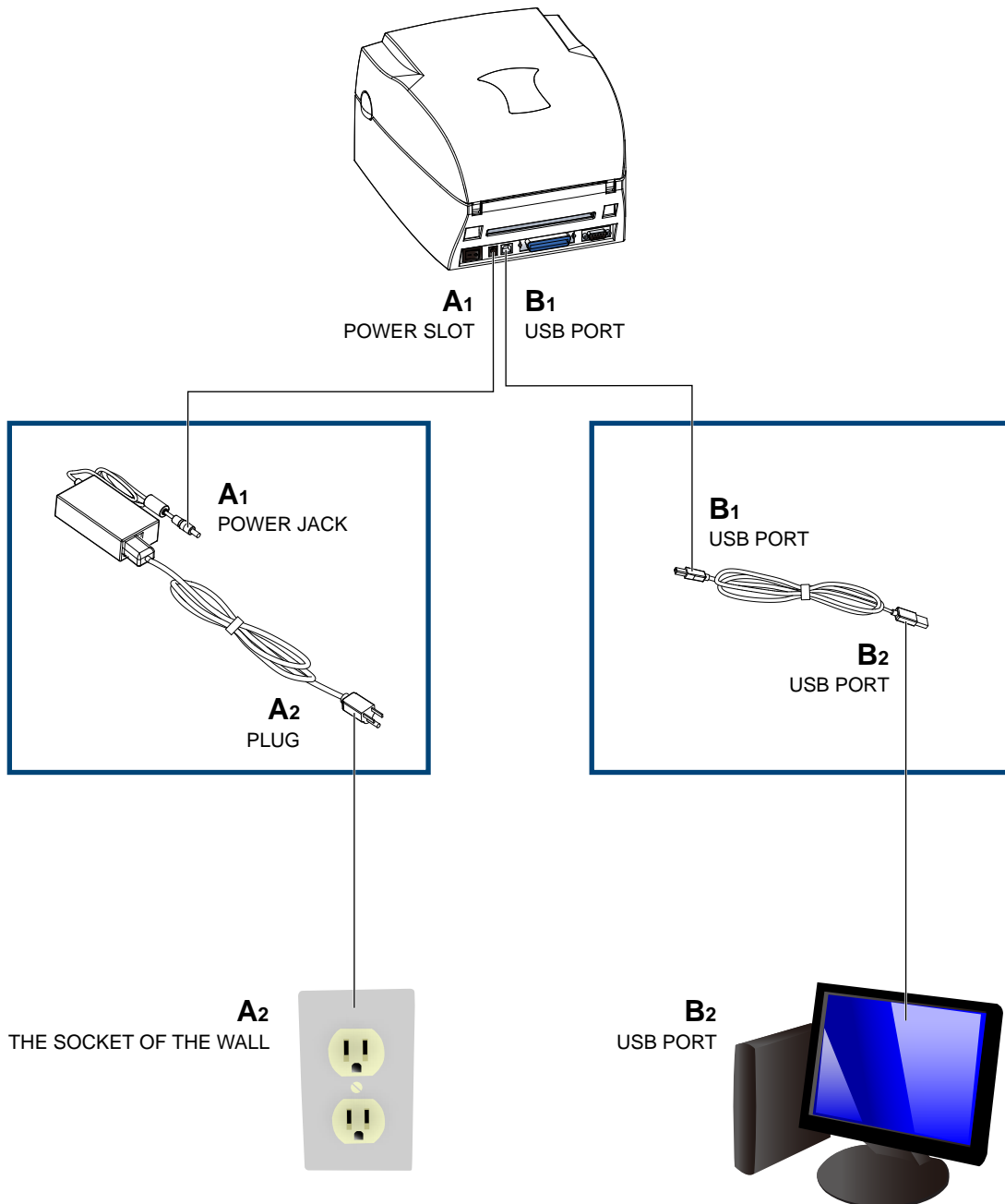
2-6 Preparing For Tag Printing

In tag printing, the tag hole indicates the height of a label. During adjustment, the sensor must therefore be positioned directly below the tag hole as shown in the illustration. The tag hole should be at least 3 mm in diameter to ensure correct functioning.



2-7 Connecting The Printer To The Host Computer

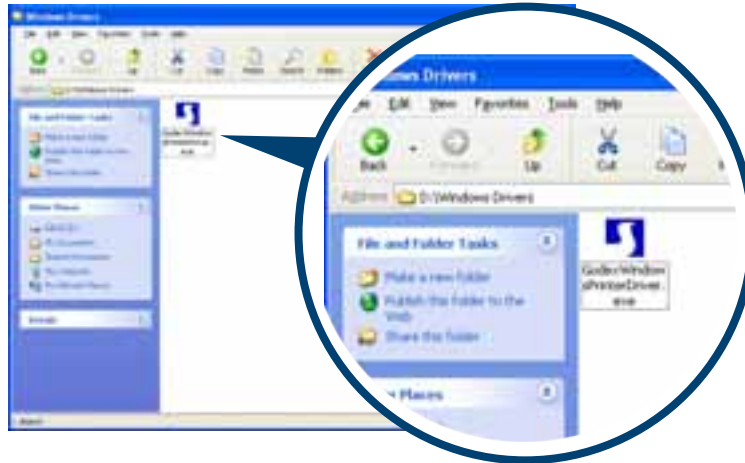
- Please make sure that the printer is switched off.
- Connect the power cord to the AC adapter and connect the adapter to the printer.
- Connect the USB / parallel cable to the printer and host computer.
- Switch on the printer. The LED indicator should now lights up.



2-8 Installing The Driver

STEP-01 ▶ Insert the product CD in the CD/DVD drive of the host computer and open the "Seagull-Driver" folder on the CD.

STEP-02 ▶ Select the icon for the driver file and click it to start the installation.



STEP-03 ▶ Follow the instructions on the screen. The Driver Wizard guides you through the installation procedure.

STEP-04 ▶ Select "Install printer drivers".



STEP-05 ▶ Specify your printer model.



STEP-06 ▶ Specify the port used to connect the printer to the host computer.



STEP-07 ▶ Enter a printer name and assign the appropriate rights.



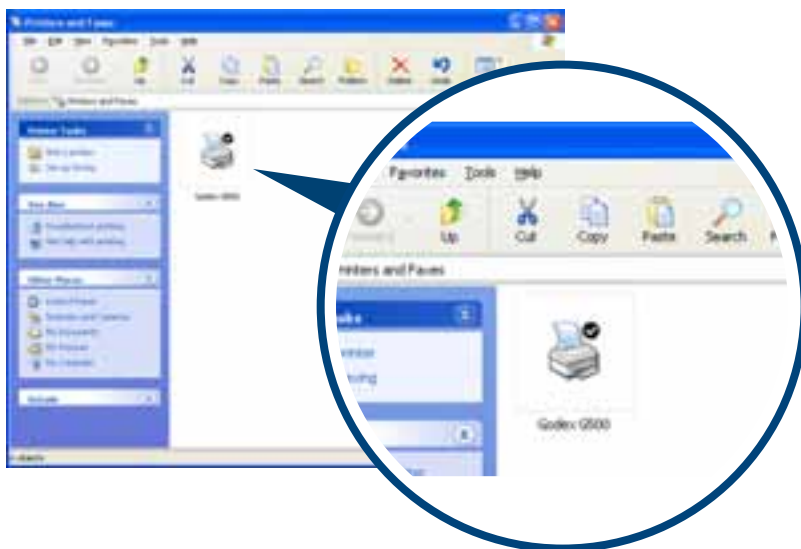
STEP-08 ▶ Once the installation is complete, a summary of the printer settings is displayed.

STEP-09 ▶ Check whether the printer settings are correct and click "Finish" to start copying the driver files.

STEP-10 ▶ Wait until copying is complete, then finish the installation.



STEP-11 ▶ Once the driver installation is complete, the new printer should appear in the "Printers and Faxes" folder.

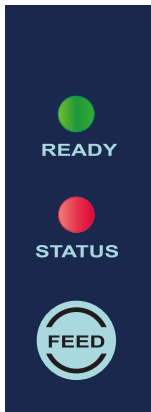


3-1 LED Operation Panel

▶ **FEED Button**

When you press the FEED button, the printer moves the label to the defined stop position. If you are using continuous labels, pressing the FEED button will move label stock until you release the button again. If you are using individual labels, pressing the FEED button will move only one label. If the label does not stop at the correct position, please run the auto calibration (See Section 3-2. for the label size calibration function) on the label stock.

▶ **LED Indicators**



LED indicator	Beeps	Status	Description
READY	Green	X	Standby mode The printer is ready for operation.
STATUS	X		
READY	X	2 x 2 beeps 2 x 3 beeps 2 x 4 beeps	Error mode The printer has detected an error. (See Section 3-3. for Error alerts)
STATUS	Red		

3-2 Label size calibration and Self Test Page

The printer can automatically detect and store label height.
 That means the host computer does not need to transmit the label height to the printer.
 And the self-test function lets you check whether the printer is functioning normally.
 Here is how you run the label size calibration and self test.



- STEP-01** ▶ Check that the label stock is loaded correctly.
- STEP-02** ▶ Switch off the printer.
- STEP-03** ▶ Switch the printer on again, keeping the FEED button pressed. When the READY LED starts to flash red and the STATUS LED lights up orange, release the FEED button. The printer will now measure the label stock and store the label height.
- STEP-04** ▶ Once the printer has successfully measured the label stock, it will print a self-test label.


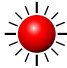
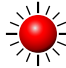



The contents of a self-test printout are listed below.

MODEL & VERSION	—	G500 X.XXX
USB PORT SETTING	—	USB S/N: XXXXXXXX
SERIAL PORT SETTING	—	Serial port : 96,N,8,1
		#####
NUMBER OF DRAM INSTALLED	—	1 DRAM installed
IMAGE BUFFER SIZE	—	Image buffer size : 1500 KB
NUMBER OF FORMS	—	000 FORM(S) IN MEMORY
NUMBER OF GRAPHICS	—	000 GRAPHIC(S) IN MEMORY
NUMBER OF FONTS	—	000 FONT(S) IN MEMORY
NUMBER OF ASIAN FONTS	—	000 ASIAN FONT(S) IN MEMORY
NUMBER OF DATABASES	—	000 DATABASE(S) IN MEMORY
NUMBER OF SCALABLE FONTS	—	000 TTF(S) IN MEMORY
FREE MEMORY SIZE	—	2048 KB FREE MEMORY
SPEED, DENSITY, Ref. POINT, PRINT DIRECTION	—	^S4 ^H10 ^R000 ~R200
LABEL WIDTH, FORM LENGTH, STOP POSITION	—	^W100 ^Q100,0,3 ^E0
CUTTER, LABEL DISPENSER, MODE	—	Option : ^D0 ^O0 ^AD
SENSOR SETTING	—	Reflective AD : 0.93 1.31 1.70 [7.7]
CODE PAGE SETTING	—	Code Page : 850

3-3 Error Alerts

In the event of a problem that prevents normal functioning of the printer, you will see an error message on LED indicators and hear some beep signals. Please refer to below table for the error alerts.

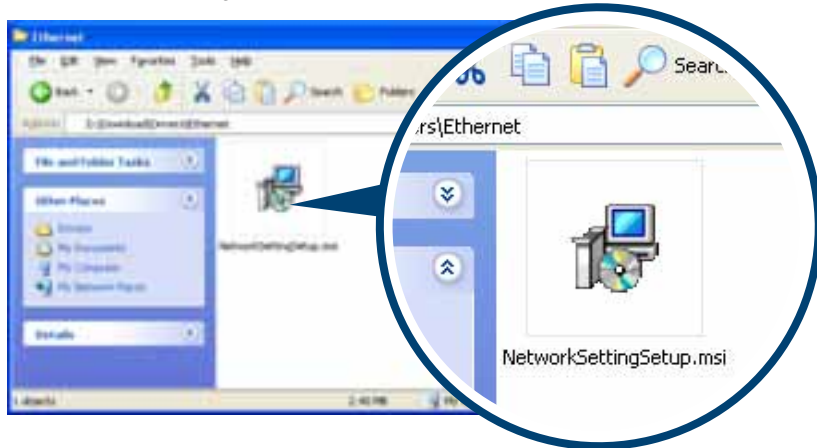
- Light on 
- Flashing 

LED indicator		Beeps	Description	Solution
READY	STATUS			
		2 x 4 beeps	The printing mechanism is not correctly closed.	Open the print mechanism and close it again.
		None	High temperature at the print head.	Once the print head has cooled down, the printer switches to standby mode.
		2 x 3 beeps	No ribbon is installed and the printer displays an error.	Make sure that the printer is set to direct thermal printing mode.
			The ribbon is finished or the label supply hub is not moving.	Replace the ribbon roll.
			No paper is detected.	Make sure that the label sensor is positioned correctly. If the sensor still does not detect the paper, run the auto-detection function again.
		2 x 2 beeps	Paper is finished.	Replace the label roll.
			Printer feed problem.	Possible reasons: the print medium has become trapped around the rubber roll; the sensor cannot detect a gap or black mark between the labels; there is no paper. Please reset the sensor.
			The memory is full. The printer prints the message "Memory full".	Delete unnecessary data or install additional memory.
		2 x 2 beeps	Unable to find file. The printer prints the message "Filename cannot be found"	Use the "~X4" command to print all files. Then check whether the files exist and whether the names are correct.
			A file of the same name already exists. The printer prints the message "Filename is repeated".	Change the name of the file and try storing it again.

4-1 Installing The NetSetting software

The NetSetting software is used to manage the network configurations when connecting the printer via Ethernet port. It is available on product CD or can be downloaded from official website. To install the NetSetting, please follow below steps.

- STEP-01** ▶ Insert the product CD in the CD/DVD drive of the host computer and open the "Ethernet" folder on the CD.
- STEP-02** ▶ Select the icon for the NetSetting installation file and click it to start the installation.



- STEP-03** ▶ Follow the instructions on the screen. The Setup Wizard guides you through the installation procedure.
- STEP-04** ▶ Specify the "Installation Folder".

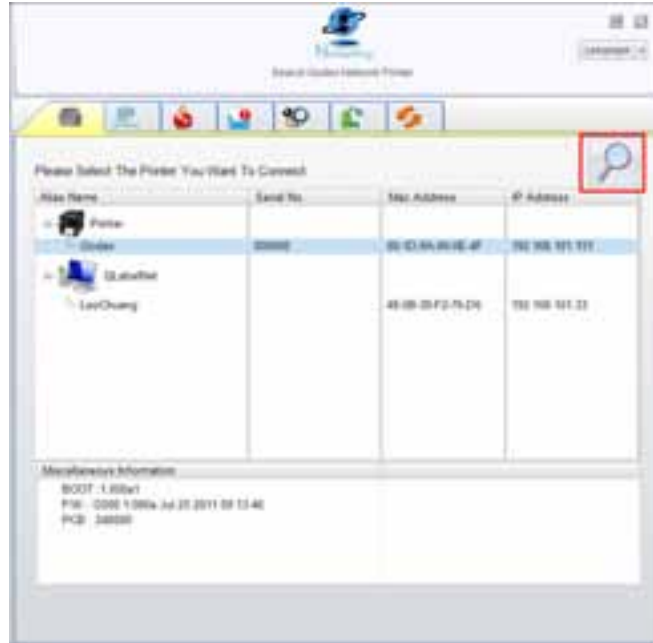


- STEP-05** ▶ Click "Next" to start the installation.
- STEP-06** ▶ Once the installation is completed; you will see the NetSetting icon on your desktop.



4-2 The interface of NetSetting

Click the NetSetting icon to start the program; you will see the start page as below. The start page will display the basic information of connected printer and your PC.



Click the magnifier icon to search the Godex printers which are connected via Ethernet port in your network environment. Once a connected Godex printer is detected, it will be listed on the start page.



There are six tabs on the top of interface which can configure different types of network settings. But for the data security reason, you need correct password to enter the configuration pages.

NOTICE

- The default password is "1111", you can change the password later from the "IP Setting" tab.

IP Setting

The IP Setting tab can change the printer name, Port number, Gateway setting and the password for configuring the printer. You can also set the printer's IP address either by DHCP or by Static IP.

The screenshot shows the 'NetSetting IP Setting' window. The title bar includes the 'NetSetting IP Setting' logo and a 'Language' dropdown menu. Below the title bar is a navigation bar with several icons. The main content area contains the following fields and controls:

- Printer Name:** A text input field containing 'Gades' with a 'Length(1~16)' label.
- Port No:** A dropdown menu showing '9100'.
- Default Gateway:** A text input field containing '192.168.0.254' with a small 'i' icon.
- Password:** A text input field containing '0000' with a 'Length(1~4)' label.
- IP Configuration:** Two radio buttons: 'Get IP From DHCP Server' (selected) and 'Static IP'.
- IP Address:** A text input field containing '192.168.101.111' with a small 'i' icon.
- Subnet Mask:** A text input field containing '255.255.255.0' with a small 'i' icon.
- Buttons:** 'Set' and 'ReGet' buttons at the bottom.

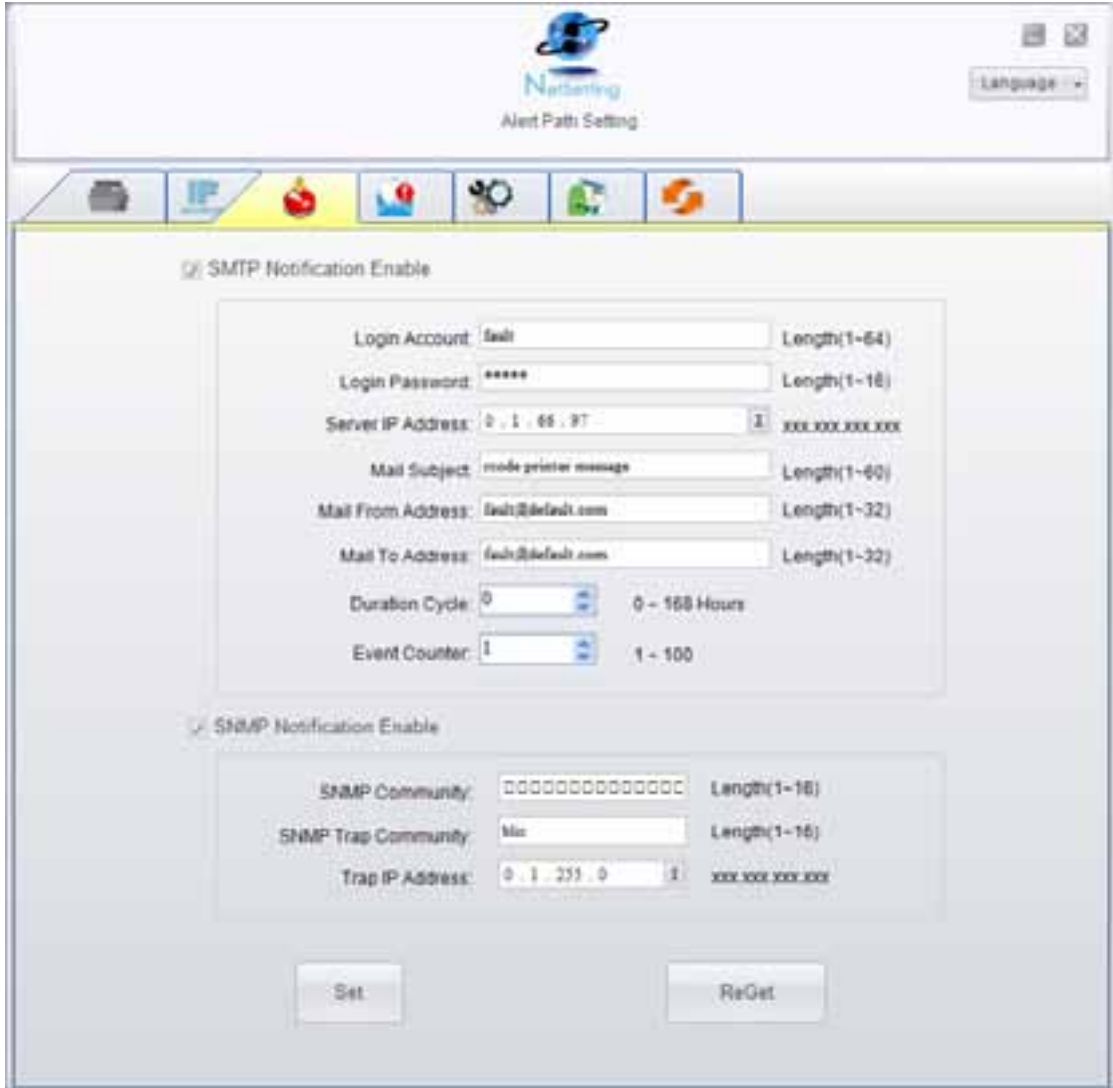
You can press "Set" button to apply the settings and "ReGet" button to refresh the setting values.

NOTICE

- To fully benefit from the NetSetting software, you should be familiar with basic networking principles. Please contact your network administrator for related network setting information.

Alert Path Setting

NetSetting will send the alert messages to designated mail account when the error happened on printer. The alert messages are sent by SMTP (Simple Mail Transfer Protocol) or SNMP (Simple Network Management Protocol). You can set or change the configurations of SMTP and SNMP on this “Alert Path Setting” tab.



You can press “Set” button to apply the settings and “ReGet” button to refresh the setting values.

Alert Message Setting

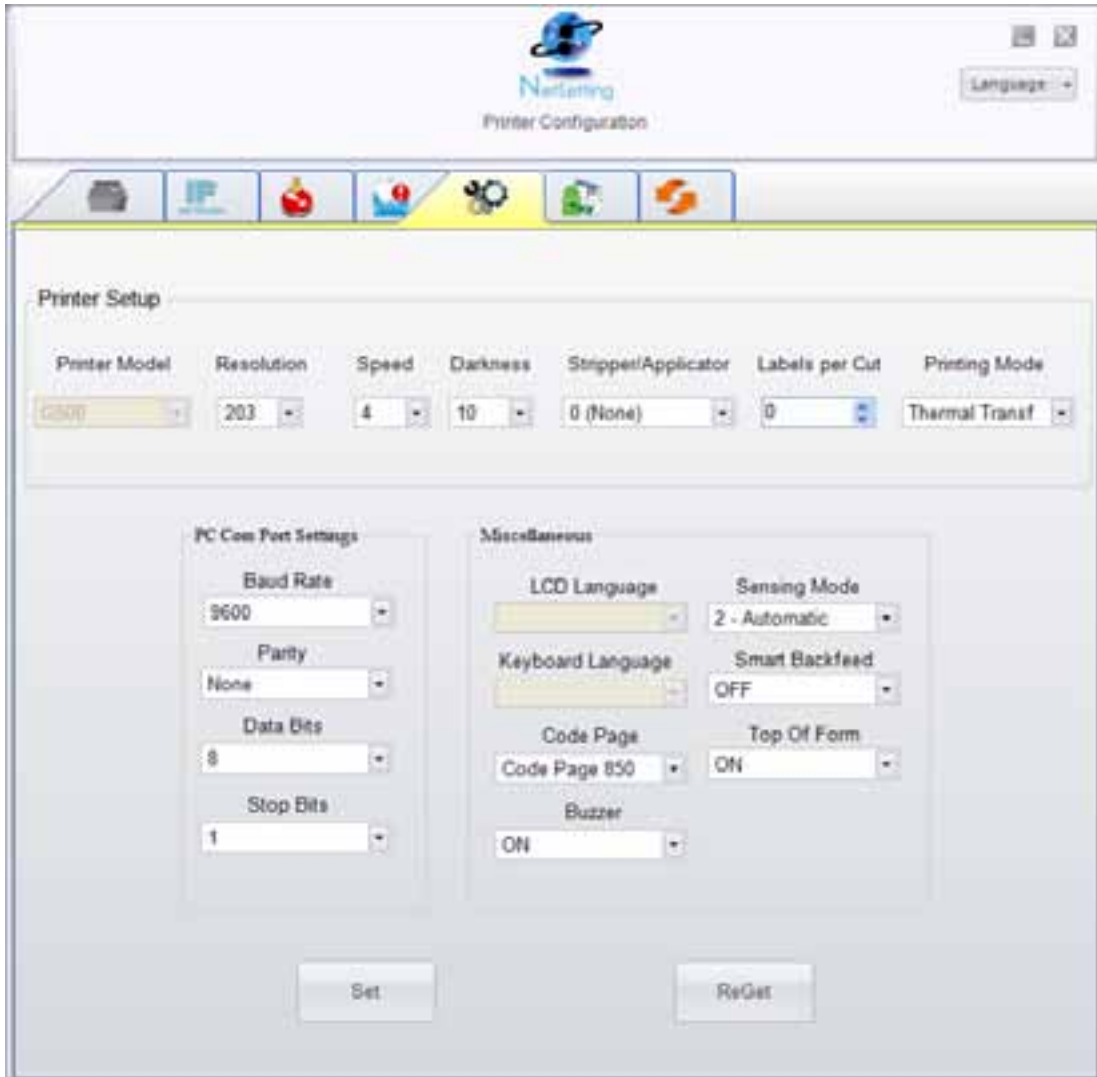
For the alert message notification function, you can decide which error cases need to be sent out to the operator. Moreover, the alert messages can be set to be sent by SMTP, SNMP or both.



You can press “Set” button to apply the settings and “ReGet” button to refresh the setting values.

Printer Configuration

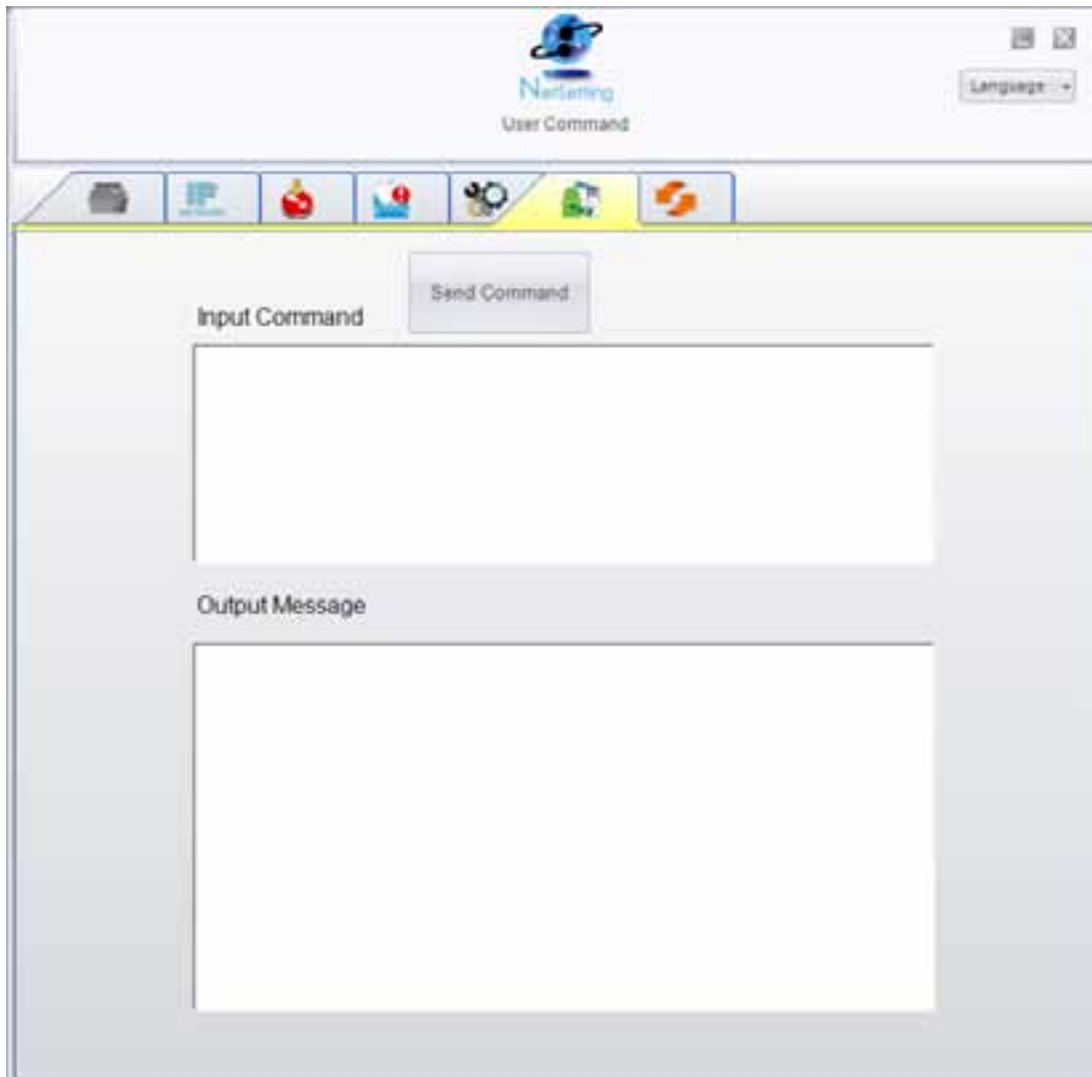
Set or change the configurations of connected printer. Most of key settings for the printer operation can be done by this setting page.



You can press "Set" button to apply the settings and "ReGet" button to refresh the setting values.

User Command

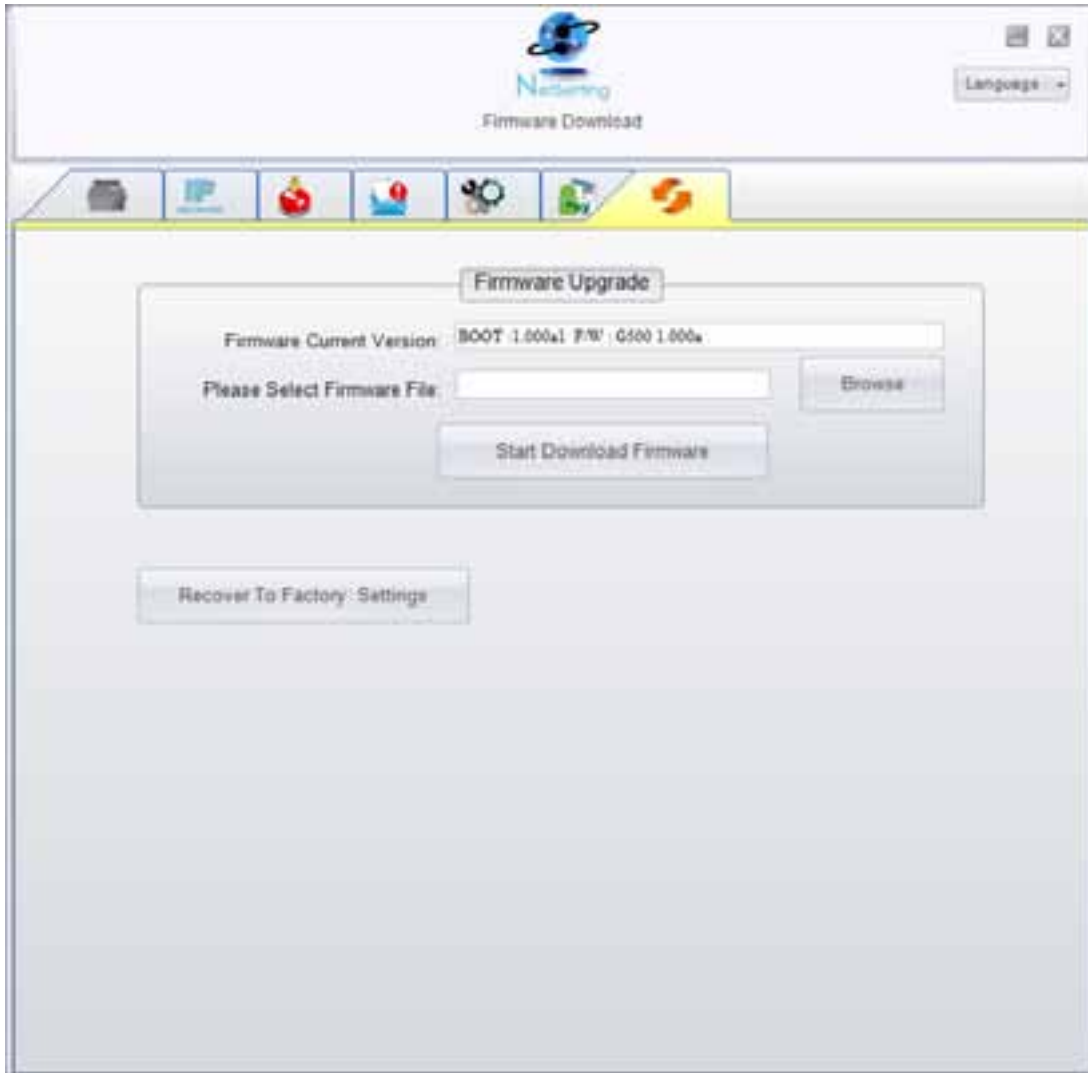
The "User Command" tab provides a communication interface for operator to control the printer. Input printer commands in "Input Command" window and press "Send Command" button, the commands will be sent to the printer. For some commands that will return response message, the message will be displayed in "Output Message" window.



You can press "Send Command" button to send printer commands via Ethernet port and control the printer remotely.

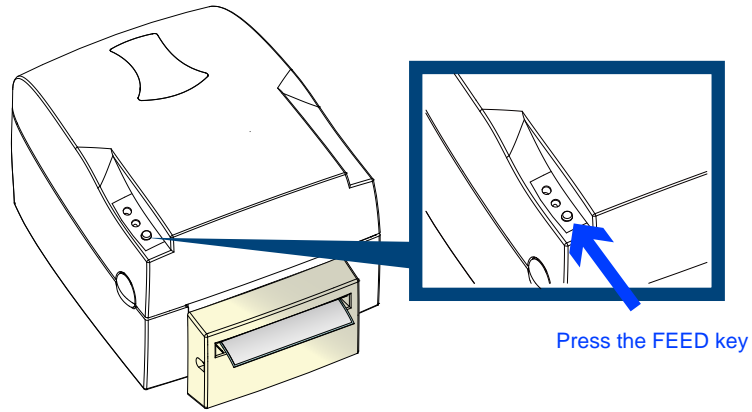
Firmware Download

On “Firmware Download” tab, the current version of printer firmware will be showed on the screen. If you need to update the printer firmware, just specify the file location of firmware file and press “Start Download Firmware” button. The printer firmware then can be updated remotely.



In addition to the firmware update, you can press “Recover To Factory Settings” button to restore the printer configurations back to factory default.

To finish, press the FEED button to set the label position.



NOTICE

- We advise against using inside wound label stock.

6-5 Troubleshooting

Problem	Solution
The printer is switched on but the display does not light up.	<ul style="list-style-type: none"> ◆ Check the power supply.
One or both LEDs light up red and printing is interrupted.	<ul style="list-style-type: none"> ◆ Check the software settings (driver settings) or command codes. ◆ Look for the error alert in the table in Section 3-3 Error alerts. ◆ Check whether the cutter is functioning normally and whether it is cutting at all. (Only if a cutter is installed.)
The label stock passes through the printer but no image is printed.	<ul style="list-style-type: none"> ◆ Please make sure that the label stock is loaded the right way up and that it is suitable material. ◆ Please make sure that the ribbon is loaded correctly.
The label stock jams during printing.	<ul style="list-style-type: none"> ◆ Clear the paper jam. Remove any label material left on the thermal print head and clean the print head using a soft lint-free cloth dipped in alcohol.
There is no printed image on part of the label or the image is blurred.	<ul style="list-style-type: none"> ◆ Check the thermal print head for dust or other dirt (label material or ribbon residue). ◆ Check for errors in the application software. ◆ Check the ribbon for wrinkles. ◆ Check the power supply. ◆ Run a self test (Section 3-2) and check the test print pattern to see whether the print head prints over the entire width of the medium. ◆ Check the quality of the print medium.
The printed image is positioned incorrectly or a label is missed out during printing.	<ul style="list-style-type: none"> ◆ Run the Label size calibration function. (Section 3-2) ◆ Check the label height setting. ◆ Check whether there is paper or dust covering the sensor. ◆ Check the paper guide settings.
The cutter does not cut off the labels in a straight line.	<ul style="list-style-type: none"> ◆ Check whether the label stock is positioned straight.
The cutter does not cut off the labels completely.	<ul style="list-style-type: none"> ◆ Check whether the label is more than 0.2 mm thick.
When using the cutter, the labels are not fed through or cut off incorrectly.	<ul style="list-style-type: none"> ◆ Check whether the cutter has been correctly installed. ◆ Check whether the paper guides are functioning correctly.
The label dispenser is not functioning normally.	<ul style="list-style-type: none"> ◆ Check whether there is dust on the label dispenser. ◆ Check whether the label stock is positioned correctly.



- If any problems occur that are not described here, please contact your dealer.

APPENDIX Product Specifications

Model	G500	G530	
Print Method	Thermal Transfer / Direct Thermal		
Resolution	203 dpi (8 dot/mm)	300 dpi (12 dot/mm)	
Print Speed	5 IPS (127 mm/s)	4 IPS (102 mm/s)	
Print Width	4.25" (108 mm)	4.16" (105.7 mm)	
Print Length	Min. 0.16" (4 mm)**	Min. 0.39" (10 mm)	
	Max. 68" (1727 mm)	Max. 30" (762 mm)	
Memory	4MB Flash (2MB for user storage)		
	16MB SDRAM		
Sensor Type	Adjustable reflective sensor. Fixed transmissive sensor, central aligned		
Media	Types	Continuous form, gap labels, black mark sensing and punched hole; label length set by auto sensing or programming	
	Width	1" (25.4 mm) Min. - 4.64" (118 mm) Max.	
	Thickness	0.003" (0.06 mm) Min. - 0.01" (0.25 mm) Max	
	Label roll diameter	Max. 5" (127 mm)	
	Core diameter	1", 1.5", 3" (25.4 mm, 38.1 mm, 76.2 mm)	
Ribbon	Types	Wax, wax/resin, resin	
	Length	981' (300 m)	
	Width	1.18" Min - 4.33" (30 mm - 110 mm) Max	
	Ribbon roll diameter	2.67" (68 mm)	
	Core diameter	1" (25.4 mm)	
Printer Language	EZPL		
Software	Label design software	QLabel-IV (for EZPL only)	
	Driver	Windows 2000, XP, Vista, 7, Windows Server 2003 & 2008	
	DLL	Windows 2000, XP and Vista	

APPENDIX **Product Specifications**

Model	G500	G530
Resident Fonts		6, 8, 10, 12, 14, 18, 24, 30, 16X26 and OCR A & B
	Bitmap fonts	Bitmap fonts 90°, 180°, 270° rotatable; single characters 90°, 180°, 270° rotatable Bitmap fonts 8 times expandable in horizontal and vertical directions
	Scalable fonts	90°, 180°, 270° rotatable
Download Fonts	Bitmap fonts	90°, 180°, 270° rotatable; single characters 90°, 180°, 270° rotatable
	Asian fonts	90°, 180°, 270° rotatable and 8 times expandable in horizontal and vertical directions
	Scalable fonts	90°, 180°, 270° rotatable
Barcodes	1-D Bar codes	Code 39
		Code 93
		Code 128 (subset A, B, C)
		UCC/EAN-128 K-Mart
		UCC/EAN-128
		UPC A / E (add on 2 & 5)
		I 2 of 5, I 2 of 5 with Shipping Bearer Bars
		EAN 8 / 13 (add on 2 & 5)
		Codabar
		Post NET
		EAN 128
		DUN 14
		HIBC
		MSI (1 Mod 10)
		Random Weight
		Telepen
		FIM
China Postal Code		
RPS 128		
GS1 DataBar		
2-D Bar codes	PDF417	
	Datamatrix code	
	MaxiCode	
	QR code	
	Micro QR code	

APPENDIX **Product Specifications**

Model	G500	G530	
Code Pages	Code page 437, 850, 851, 852, 855, 857, 860, 861, 862, 863, 865, 866, 869, 737 Windows 1250, 1251, 1252, 1253, 1254, 1255, 1257		
Graphics	Resident graphic file types are BMP and PCX, other graphic formats are downloadable from the software		
Interfaces	USB Device	USB Device	
	Parallel port	Parallel port	
	USB Device	USB Device	
	Serial port	Serial port	
	Ethernet	Ethernet	
Control Panel	LED indicator (Bi-color)	READY STATUS	
	Control key	FEED key	
Power	Auto Switching 100-240VAC, 50-60Hz		
Environment	Operation temperature	41°F to 104°F (5°C to 40°C)	
	Storage temperature	-4°F to 122°F (-20°C to 50°C)	
Humidity	Operation	30-85%, non-condensing.	
	Storage	10-90%, non-condensing.	
Agency Approvals	CE(EMC) FCC Class A CB cUL CCC		

APPENDIX **Product Specifications**

Model	G500	G530
Dimension	Length	11.2" (285 mm)
	Height	6.8" (171 mm)
	Width	8.9" (226 mm)
Weight	6 lbs (2.72Kg) ,excluding consumables	
Options	Cutter Module	
	Label Dispenser (peel)	
	External label roll holder for 10" (250 mm) O.D. label rolls	
	External label rewinder	

>>> Specifications are subject to change without notice. All company and/or product names are trademarks and/or registered trademarks of their respective owners.



>>> Minimum print height specification compliance can be dependent on non-standard material variables such as label type, thickness, spacing, liner construction, etc. Godex is pleased to test non-standard materials for minimum height printing capability.

Pinout description

▶ **Parallel Port**

Handshaking: DSTB is sent to the printer, BUSY to the host computer.

Interface Cable: Parallel cable compatible with IBM computers.

Pinout: See below.

Pin NO.	Function	Transmitter
1	/Strobe	host / printer
2-9	Data 0-7	host
10	/Acknowledge	printer
11	Busy	printer
12	/Paper empty	printer
13	/Select	printer
14	/Auto-Linefeed	host / printer
15	N/C	
16	Signal Gnd	
17	Chasis Gnd	
18	+5V,max 500mA	
19-30	Signal Gnd	host
31	/Initialize	host / printer
32	/Error	printer
33-35	N/C	
36	/Select-in	host / printer

▶ **Serial Port**

Default Settings: Baud rate 9600, no parity, 8 data bits, 1 stop bit, XON/XOFF protocol and RTS/CTS.

RS232 HOUSING (9-pin to 9-pin)			
DB9 Socket		DB9 Plug	
---	1	1	+5V,max 500mA
RXD	2	2	TXD
TXD	3	3	RXD
N/C	4	4	N/C
GND	5	5	GND
DSR	6	6	RTS
RTS	7	7	CTS
CTS	8	8	RTS
N/C	9	9	N/C
PC		Printer	

▶ **USB**

Connector Type : Type B

Pin NO.	1	2	3	4
Function	VBUS	D-	D+	GND