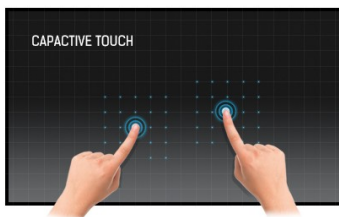




ProLite T3234MSC uses Projective Capacitive Touch Technology, built into an eye catching bezel with Edge to Edge glass. Featuring VA LCD Screen technology, it offers exceptional colour performance and wide viewing angles , making it a perfect interactive display for Interactive Digital Signage. In addition to the superb image quality, the screen comes with a rugged bezel making it suitable for demanding environments. The screen also features a vast array of inputs including DVI as well as USB for the Touch sensor itself, and a High Definition 1920 x 1080 Resolution. The ProLite T3234MSC is the ideal solution for Interactive Digital Signage, Instore Retail, Kiosks , Gaming and Interactive Presentations.



TOUCH TECHNOLOGY - CAPACITIVE

This technology uses a sensor-grid of micro-fine wires integrated into the glass that covers the screen. Touch is detected because electrical characteristics of the sensor grid change when human finger is placed on the glass. Thanks to the glass overlay this technology is highly durable, and the touch function remains unaffected even if the glass is scratched. It offers perfect picture performance and will work with human finger (gloved or not) and magnetic ball.



SCRATCH RESISTANCE

Scratch resistance is essential for touch solutions used in public places and schools. This is achieved thanks to a glass overlay covering the screen. It guarantees high durability of the touch function and even more importantly the touch function remains unaffected even if the glass is scratched.

1. DISPLAY CHARACTERISTICS

DIAGONAL	31.5"; 80cm
TOUCHTECHNOLOGY	projective capacitive, multi touch (2 compatible touch points - HID, supported only under Windows® 7/8), activated by finger
PANEL	VA LED-backlit
GLASS HARDNESS	7H minimum
DISPLAY AREA H X W	392.8 x 698.4 mm; 15.5" x 27.5"
RESPONSE TIME	6.5 ms
CONTRAST	3 000 : 1 with touch panel
BRIGHTNESS	350 cd/m² typical
BRIGHTNESS	315 cd/m² with touch panel
VIEWING ZONE	horizontal/vertical: 178° / 178°; right/left: 89° / 89°; up/down: 89° / 89°
DISPLAY COLOUR	16.7 million
PIXEL PITCH H X V	0.364 x 0.364 mm
NATIVE RESOLUTION	Full HD 1080p, 1920 x 1080 (2.1 megapixel)
HORIZONTAL SYNC	31,47 - 67.5 KHz
VERTICAL SYNC	47 - 63 Hz
SYNCHRONIZATION	Separate Sync
ASPECT RATIO	16 : 9
LIGHT TRANSMITTANCE	90%

2. INTERFACES & CONNECTORS

ANALOG INPUT CONNECTOR	VGA
DIGITAL INPUT CONNECTOR	DVI-D
OUTPUT CONNECTOR	RS 232C
INPUTS	USB (for touch connectivity), RS 232C

3. SPECIAL FEATURES

PLUG & PLAY	VESA DDC2B™
CONTROLS	On-Screen-Display in 7 languages (DE, EN, ES, FR, IT, JP, Chinese - traditional and simplified) and 5 front controls (Menu, Scroll up/ Brightness, Scroll down/ Mute, Select/ Auto, Power)
USER CONTROLS	contrast, brightness, auto adjust, H.position, V.position, H.size, phase, OSD H.position, OSD V.position, OSD timeout, reset, input select, OSD language, colour temperature, volume, mute
SPEAKERS	2 x 8 W (Stereo)
SAFETY	CE, TÜV-Bauart, VCCI, CU, IPX1 (front)
VESA MOUNTING	400 x 200 mm
COLOUR	Black

4. ACCESSORIES

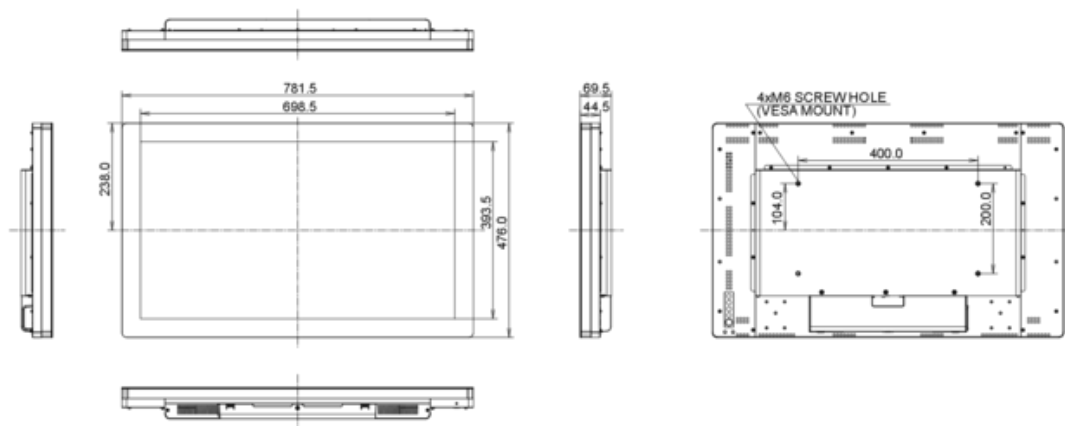
DRIVER	single touch: Windows® 7/8, multi touch: Vista (HID compliant)
INCLUDED ACCESSORIES	power cable, VGA (D-Sub) signal cable, DVI-D signal cable, audio cable, USB cable, Touch Panel Driver Disk (CD-ROM), quick start guide, safety guide
OPTIONAL ACCESSORIES	remote OSD key

5. POWER MANAGEMENT

POWER SUPPLY	AC 100 - 240 V, 50 / 60 Hz
POWER SUPPLY UNIT	internal
POWER USAGE	65 W typical; max. 2 W in Power management mode
POWER MANAGEMENT	VESA DPMS

6. DIMENSIONS & WEIGHT

DIMENSIONS W X H X D	781.5 x 476.5 x 69.5 mm
WEIGHT	16.2 kg



All trademarks and registered trademarks acknowledged. E & O E. Specification subject to change without notice. All LCD's comply with ISO-9241-307:2008 in connection with pixel defects.